



Installation instructions, accessories

Volvo Car Corporation Gothenburg, Sweden

Instruction No	Version	Part. No.
31470177	1.2	31470821

Parking assistance, pilot



Installation instructions, accessories

Volvo Car Corporation Gothenburg, Sweden

Special tools

	999 7234 Hole stamp Tool number:999 7234 Tool description:Hole stamp Tool boards:80
	951 2950 Glue gun (kit) Tool number:951 2950 Tool description:Glue gun (kit) Tool boards:08
	981 4203 Expander pliers Tool number:981 4203 Tool description:Expander pliers Tool boards:30
	999 7614 Hole punch Tool number:999 7614 Tool description:Hole punch Tool boards:30
	981 4204 Expander pliers Tool number:981 4204 Tool description:Expander pliers Tool boards:87
	951 2632 Terminal removal tool (Color code: RED) Tool number:951 2632 Tool description:Terminal removal tool (Color code: RED) Tool boards:39

Materials

Designation	Part number
Isopropanol	
Masking tape	
Bonding primer, plastic	31335448

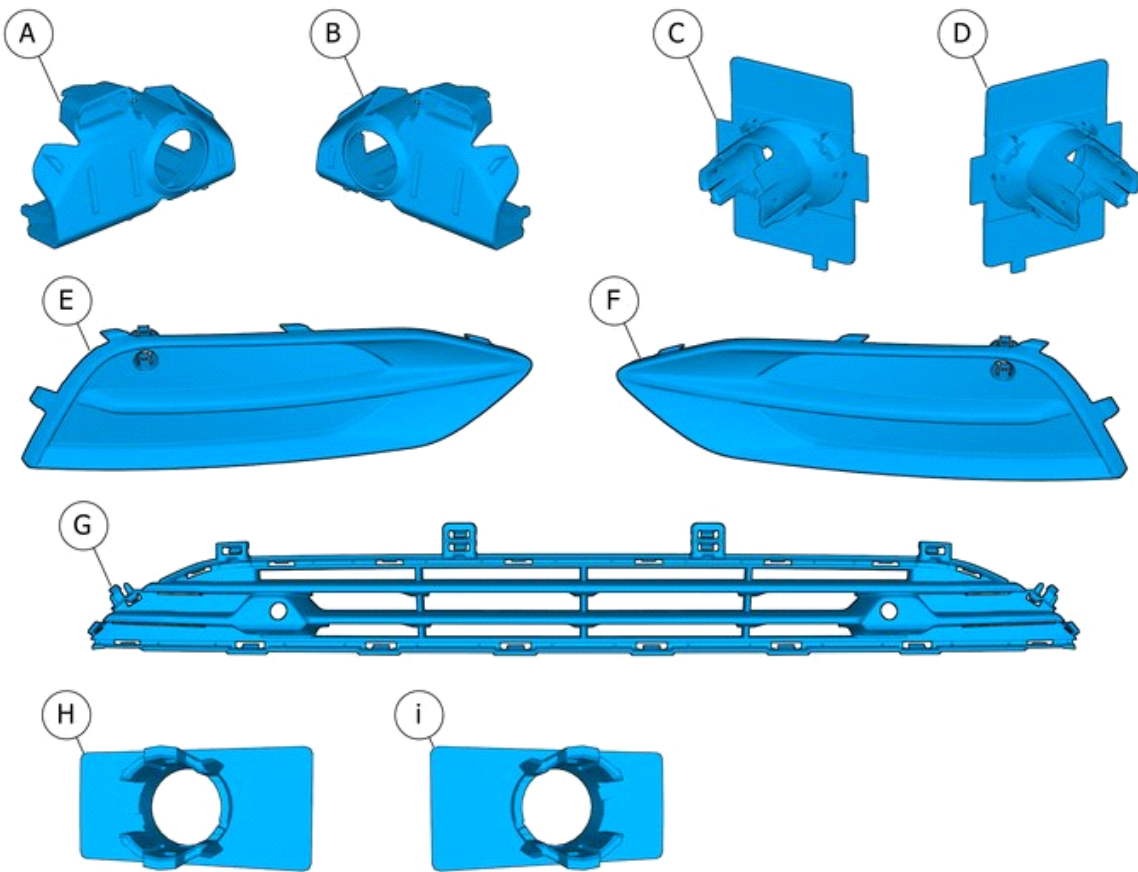


Installation instructions, accessories

Volvo Car Corporation Gothenburg, Sweden

Sand paper P1000	
Volvo Original Touch-up paint	
Varnish 2-component	31335447
Mixing pipe	1161730
Glue	9511027
Tape	9511083
Electrical tape	
Primer	1161765
Lubricant	1161150

Equipment

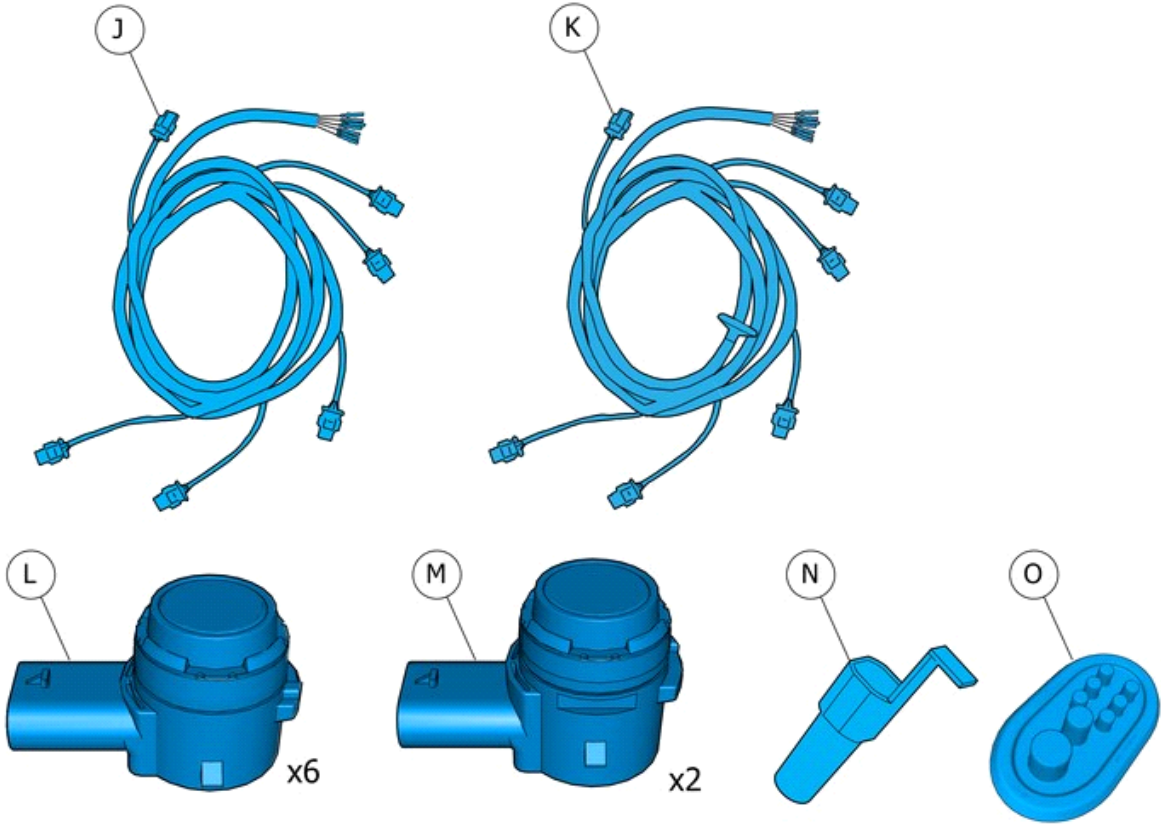


IMG-420385



Installation instructions, accessories

Volvo Car Corporation Gothenburg, Sweden

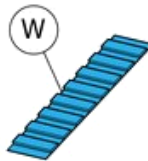
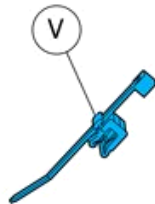
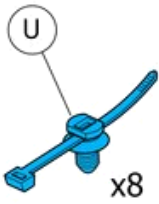
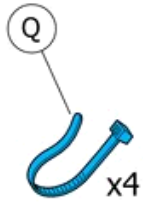
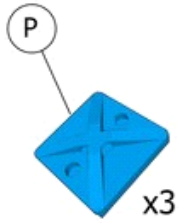


IMG-420479



Installation instructions, accessories

Volvo Car Corporation Gothenburg, Sweden



IMG-420485



Installation instructions, accessories

Volvo Car Corporation Gothenburg, Sweden

Information

1

Read through all of the instructions before starting installation.

Notifications and warning texts are for your safety and to minimise the risk of something breaking during installation.

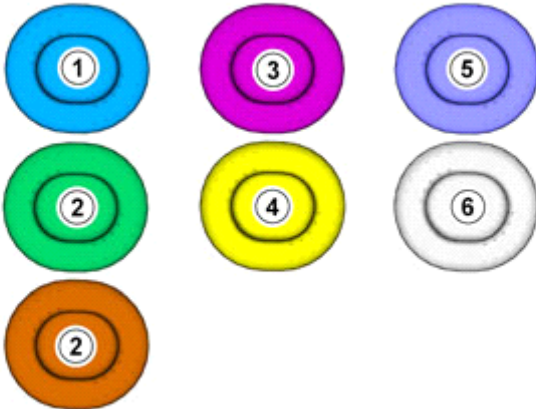
Ensure that all tools stated in the instructions are available before starting installation.

Certain steps in the instructions are only presented in the form of images. Explanatory text is also given for more complicated steps.

In the event of any problems with the instructions or the accessory, contact your local Volvo dealer.

Color symbols

2



IMG-363036

Note!

This colour chart displays (in colour print and electronic version) the importance of the different colours used in the images of the method steps.

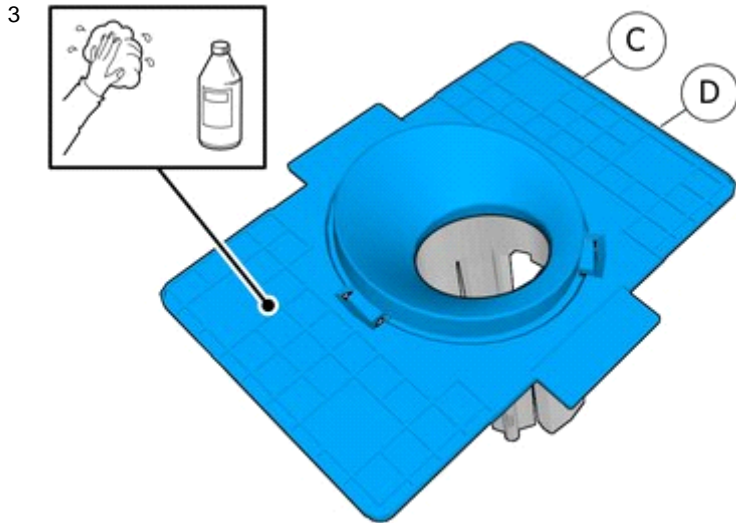
- Used for focused component, the component with which you will do something.
- Used as extra colors when you need to show or differentiate additional parts.
- Used for attachments that are to be removed/installed. May be screws, clips, connectors, etc.
- Used when the component is not fully removed from the vehicle but only hung to the side.
- Used for standard tools and special tools.
- Used as background color for vehicle components.

Paintwork



Installation instructions, accessories

Volvo Car Corporation Gothenburg, Sweden

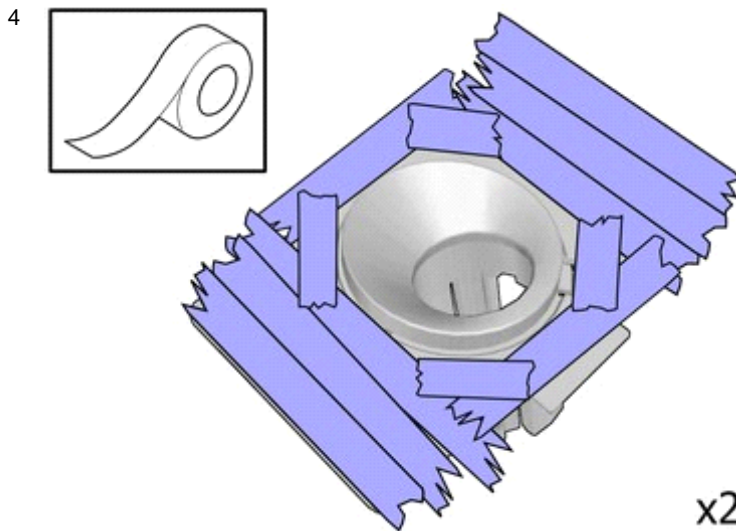


Clean the surface.

Use: , Isopropanol

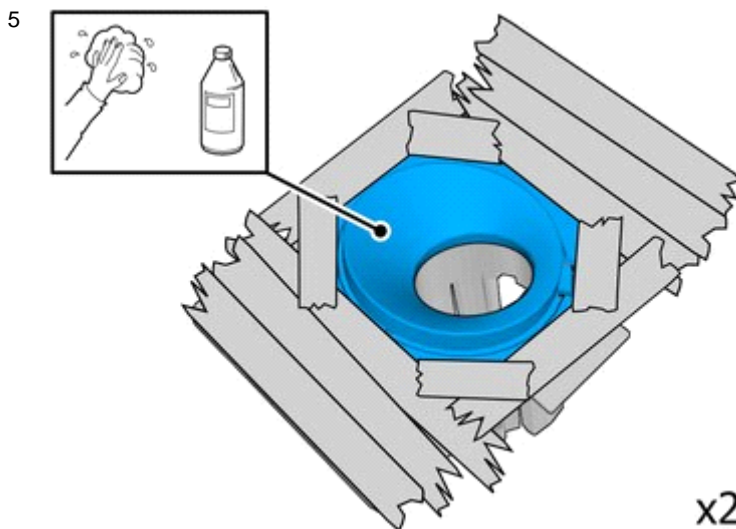
Allow to dry.

IMG-420103



Use: , Masking tape

IMG-420104



Clean the surface.

Use: , Isopropanol

Allow to dry.

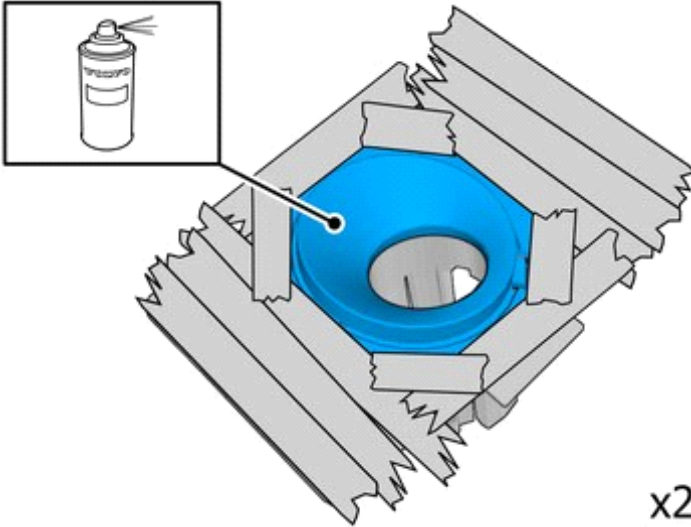
IMG-420131



Installation instructions, accessories

Volvo Car Corporation Gothenburg, Sweden

6

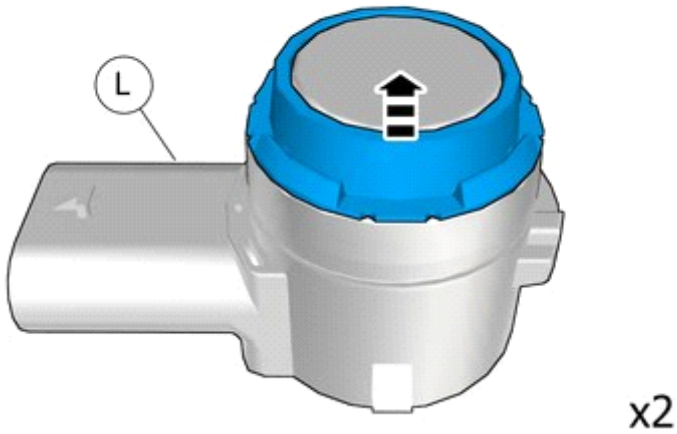


Use: 31335448, Bonding primer, plastic

Also see the instructions on the container.

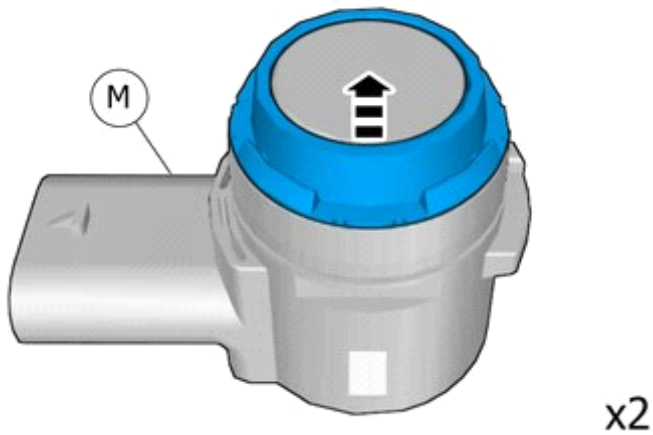
IMG-420130

7



IMG-384372

8



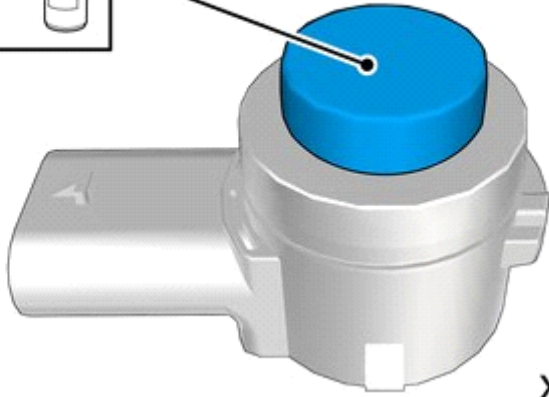
IMG-384853



Installation instructions, accessories

Volvo Car Corporation Gothenburg, Sweden

9



x4

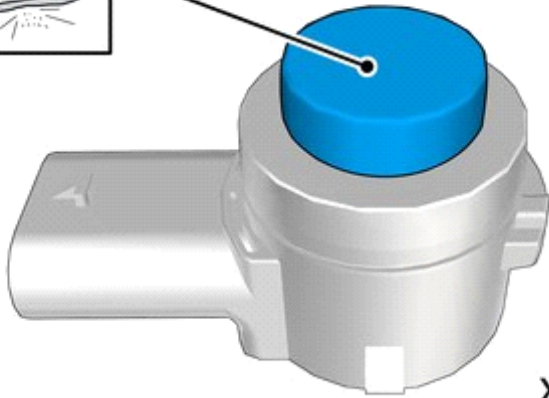
IMG-404275

Clean the surface.

Use: , Isopropanol

Allow to dry.

10



x4

IMG-404276

Matt the surface gently.

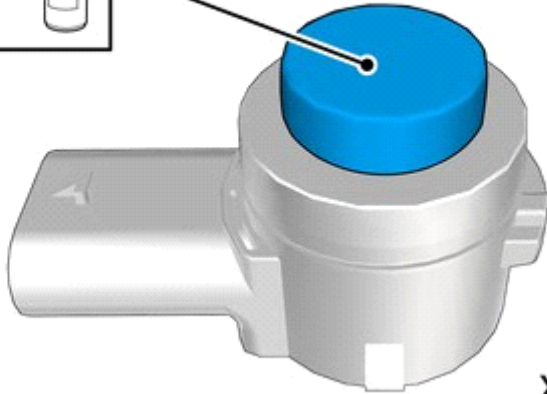
Use: , Sand paper P1000



Installation instructions, accessories

Volvo Car Corporation Gothenburg, Sweden

11



x4

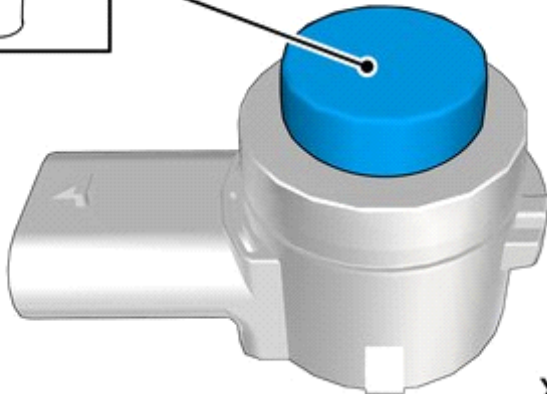
IMG-404275

Clean the surface.

Use: , Isopropanol

Allow to dry.

12



x4

IMG-404278

Caution!

Protect connector surfaces against paint spray.

Note!

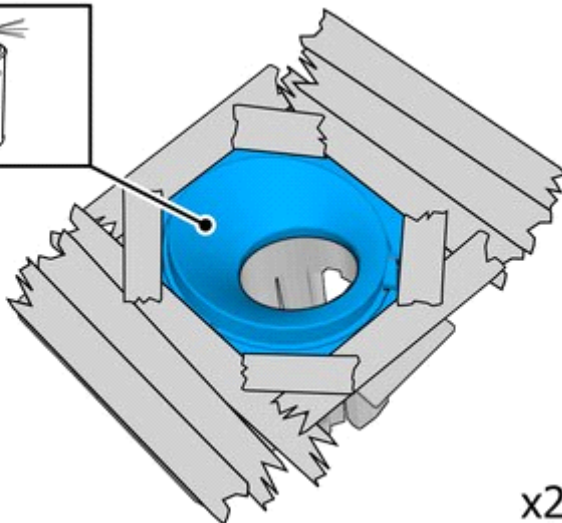
Paint the sensors the same colour code as the vehicle.

Also see the instructions on the container.

Use: , Volvo Original Touch-up paint

Use: 31335447, Varnish 2-component

13



x2

IMG-420130

Note!

Use correct color following the vehicle's paint code.

Use: , Volvo Original Touch-up paint

Use: 31335447, Varnish 2-component

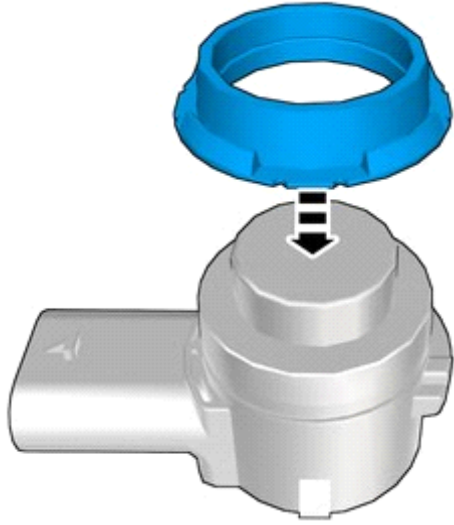
Also see the instructions on the container.



Installation instructions, accessories

Volvo Car Corporation Gothenburg, Sweden

14



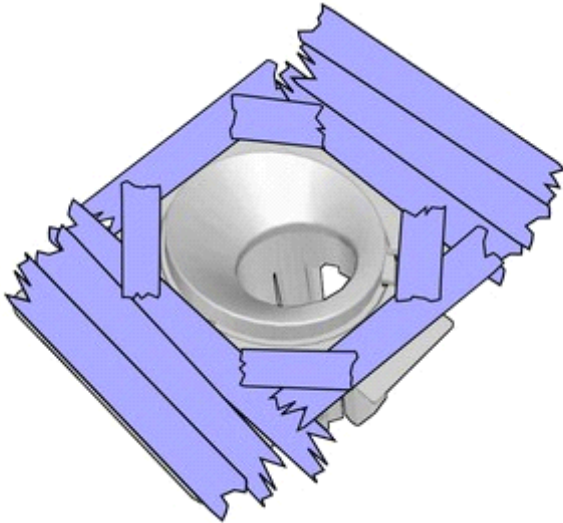
IMG-420085

x4

Caution!

First the paint must dry after painting.

15



IMG-420132

x2

Remove the tape.

Removal



Installation instructions, accessories

Volvo Car Corporation Gothenburg, Sweden

16



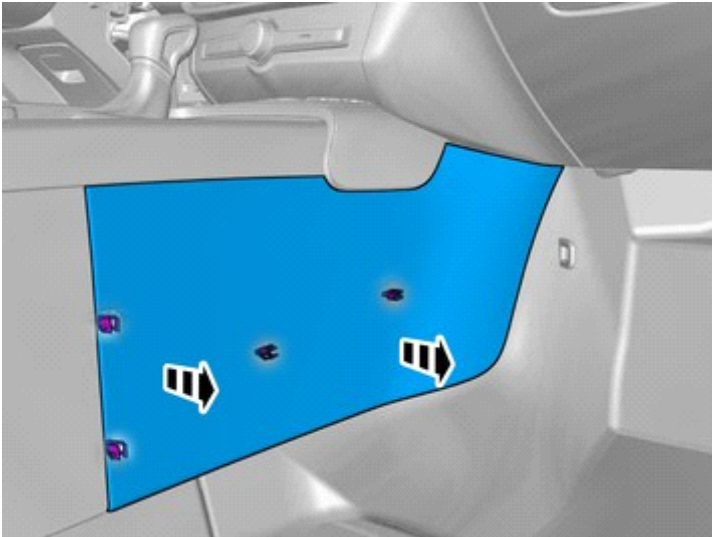
IMG-394535

17

Note!

The removal steps may contain installation details.

18



IMG-414590

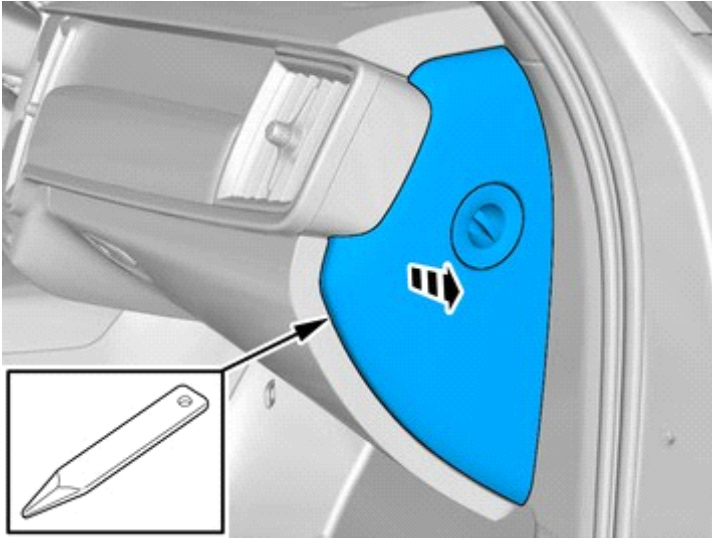
Remove the panel.



Installation instructions, accessories

Volvo Car Corporation Gothenburg, Sweden

19

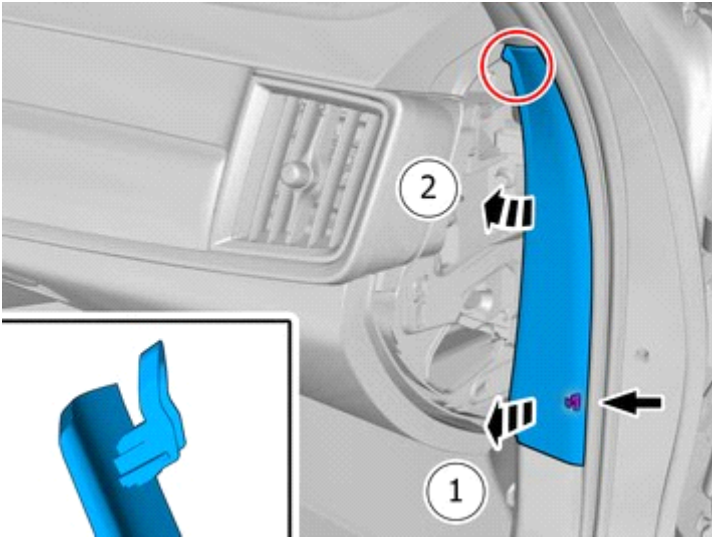


IMG-412242

Remove the panel.

Disconnect the connector, if applicable.

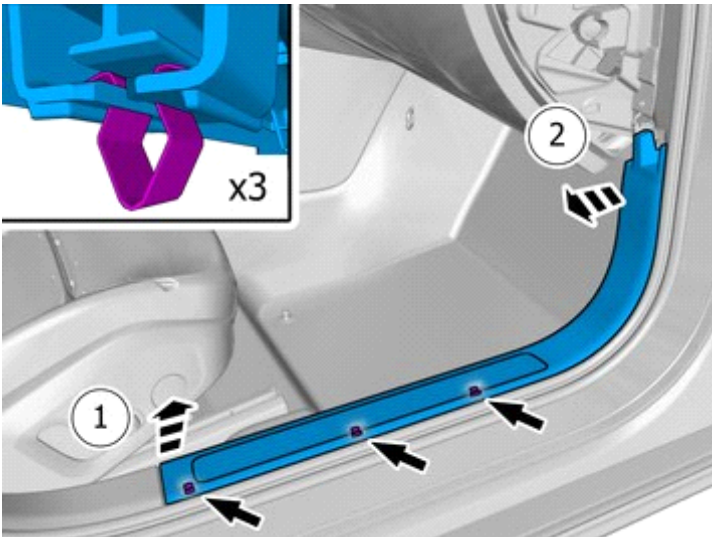
20



IMG-414575

Remove the panel.

21



IMG-414580

Remove the panel.

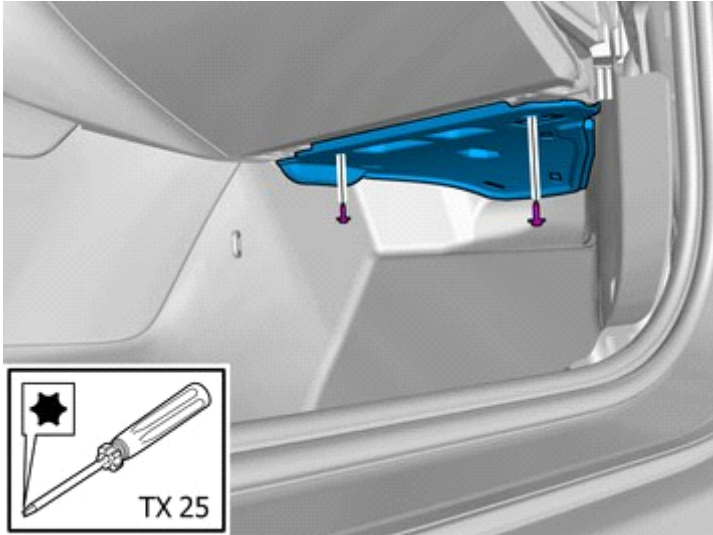
Disconnect the connector, if applicable.



Installation instructions, accessories

Volvo Car Corporation Gothenburg, Sweden

22



IMG-414585

Remove the screws.

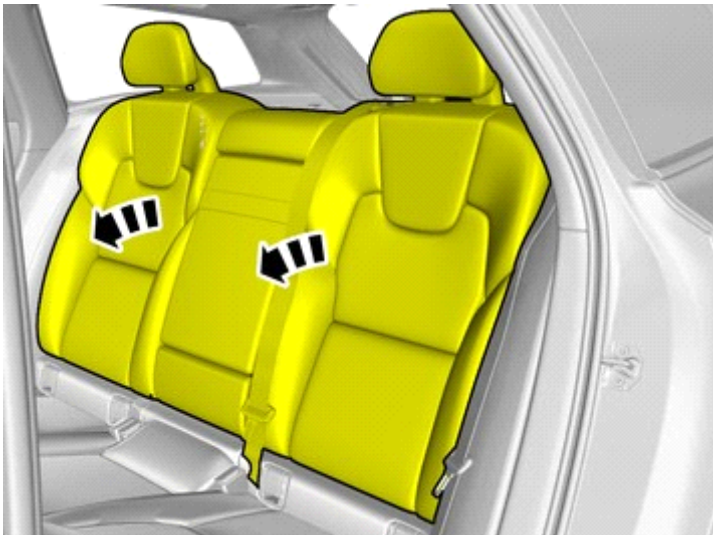
Remove the panel.

23

Repeat the steps when removing on opposite side.

IMG-40000

24



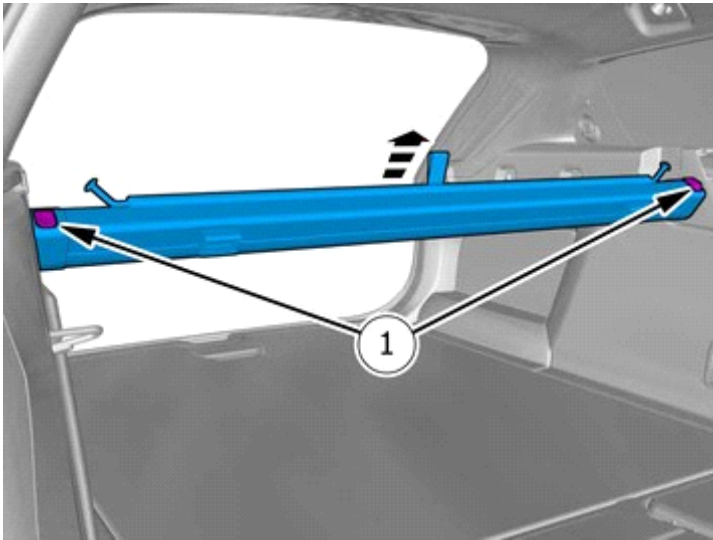
IMG-419056



Installation instructions, accessories

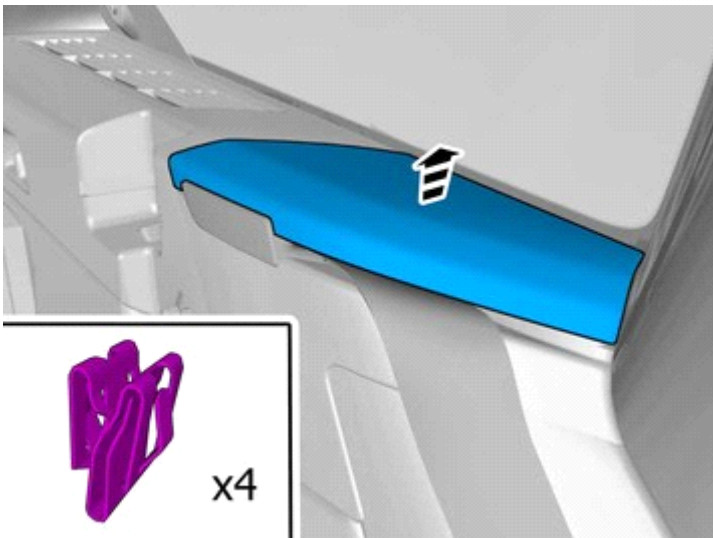
Volvo Car Corporation Gothenburg, Sweden

25



IMG-414613

26



Remove the panel.

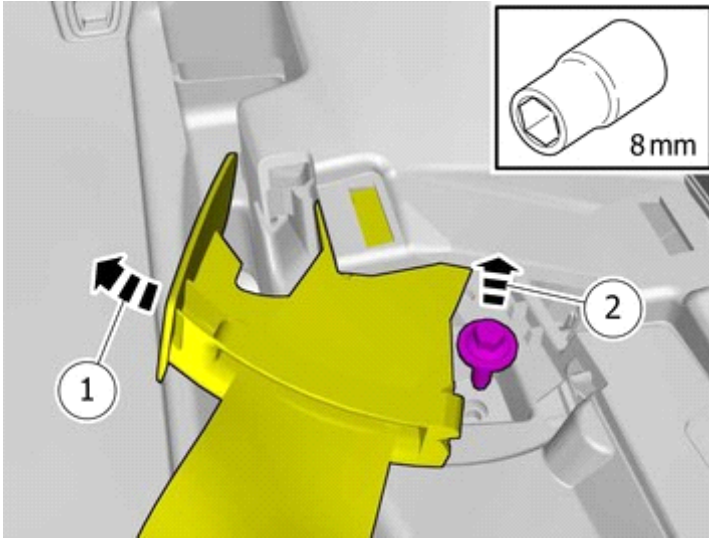
IMG-419060



Installation instructions, accessories

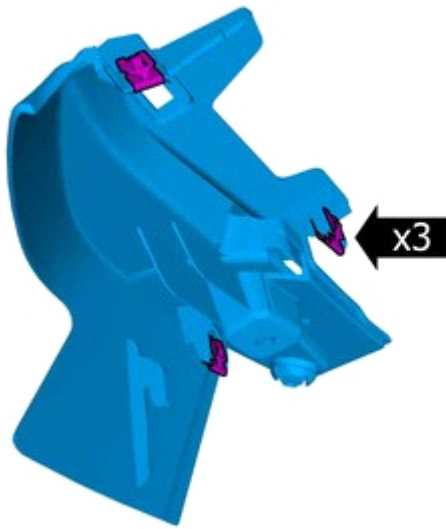
Volvo Car Corporation Gothenburg, Sweden

27



IMG-419061

28

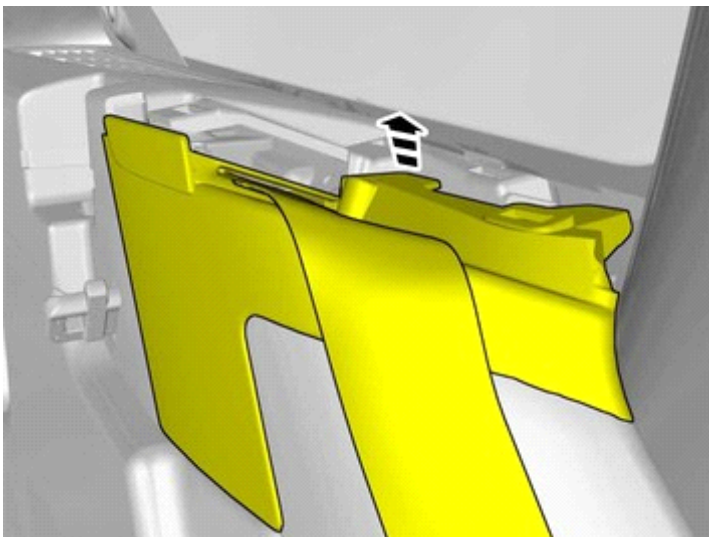


IMG-419062

Note!

The graphic shows the back of the component before removal.

29



IMG-419063

Remove the panel.

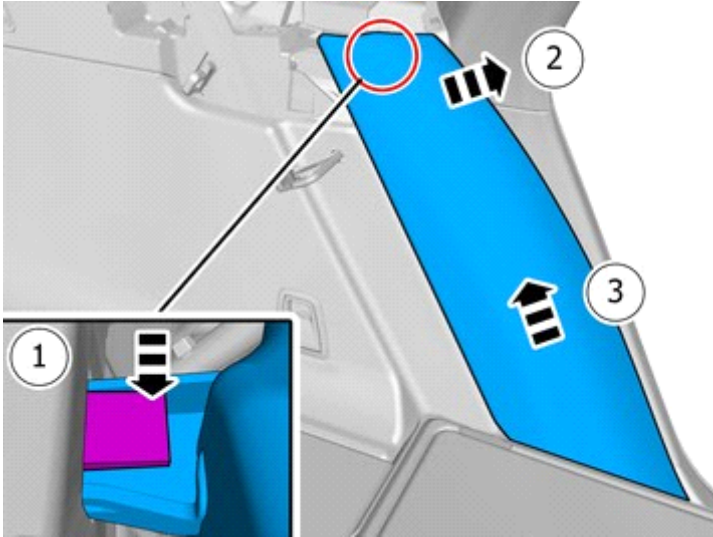
Use hands only.



Installation instructions, accessories

Volvo Car Corporation Gothenburg, Sweden

30

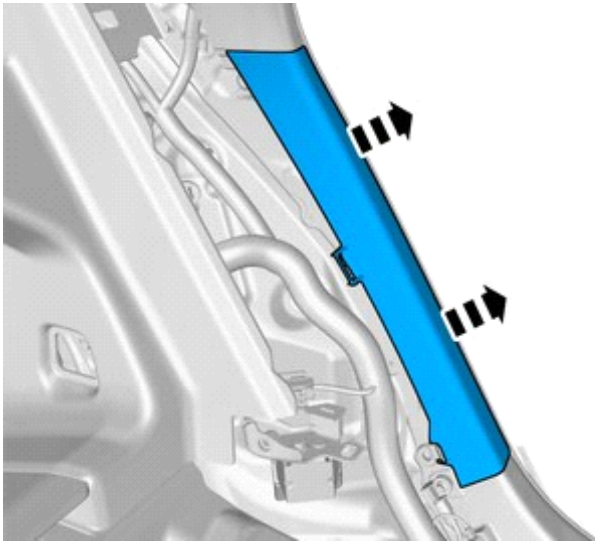


IMG-419065

Release the catch.

Remove the marked part.

31

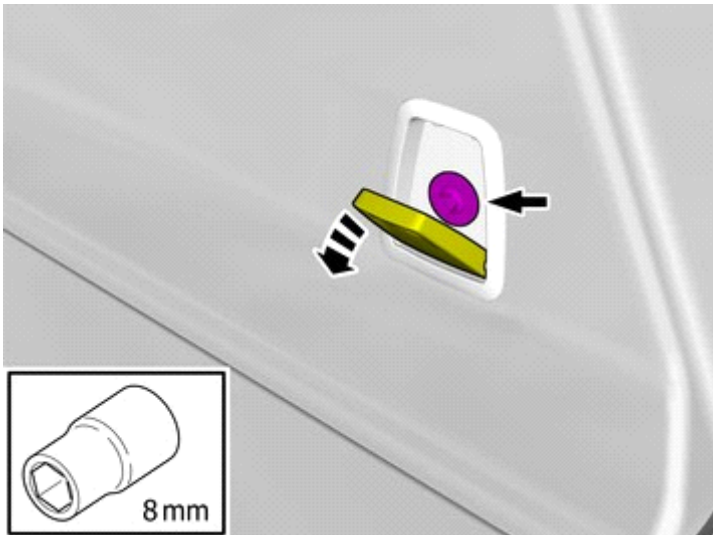


IMG-417503

Remove the panel.

Use hands only.

32



IMG-419067

Remove the screw.

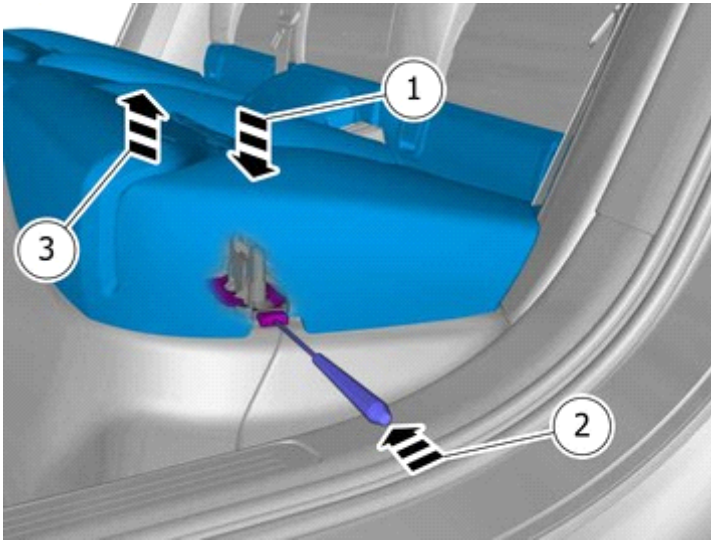
Tightening torque: M6 , 10 Nm



Installation instructions, accessories

Volvo Car Corporation Gothenburg, Sweden

33



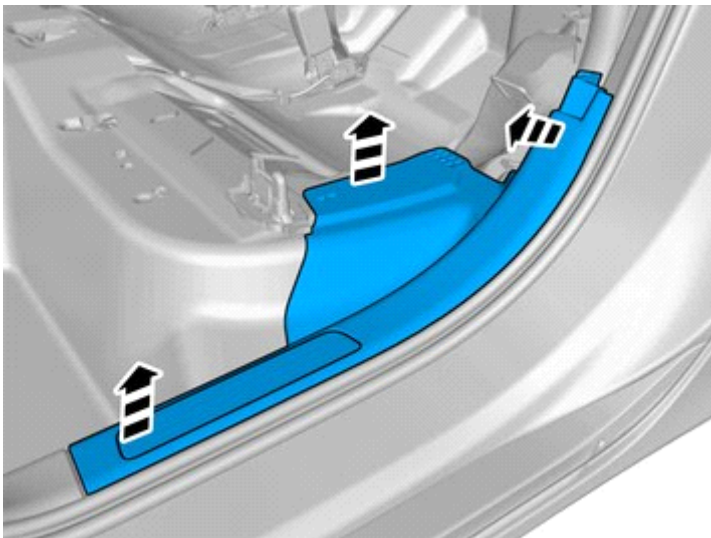
IMG-417441

Release the lock.

Repeat on the other side.

Remove the marked part.

34



IMG-417504

Remove the panel.

Disconnect the connector, if applicable.



Installation instructions, accessories

Volvo Car Corporation Gothenburg, Sweden

35

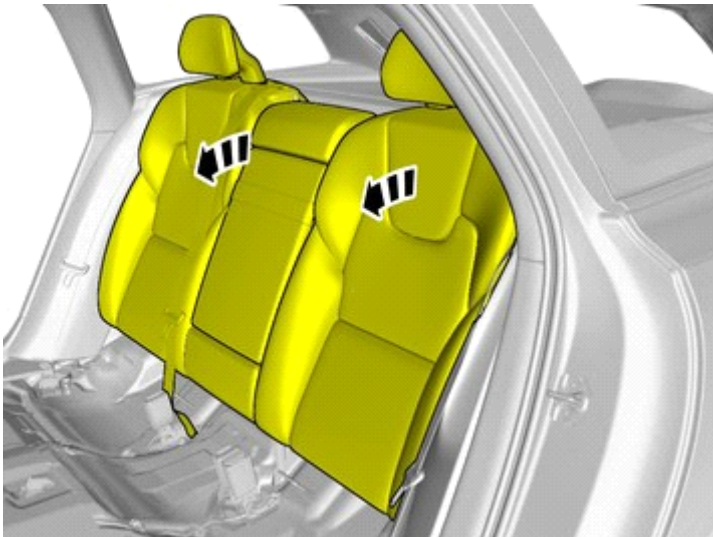


IMG-422035

Caution!

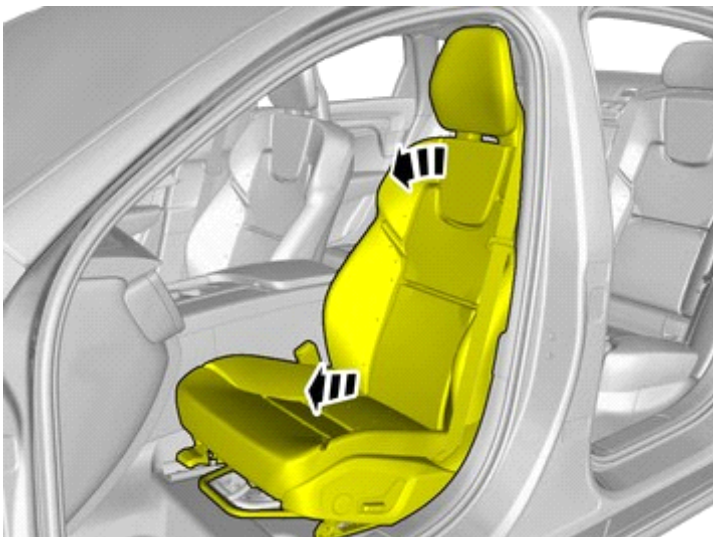
Make sure that the seat backrest upholstery (fold down position) is not damaged by contact with the floor!

36



IMG-422102

37



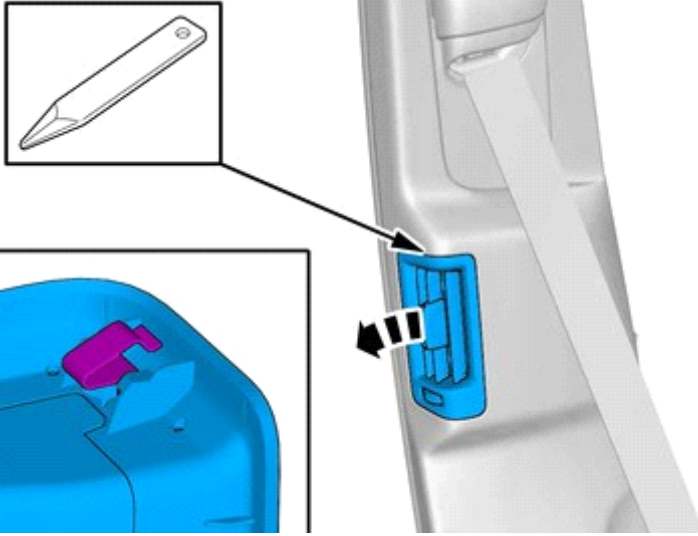
IMG-417505



Installation instructions, accessories

Volvo Car Corporation Gothenburg, Sweden

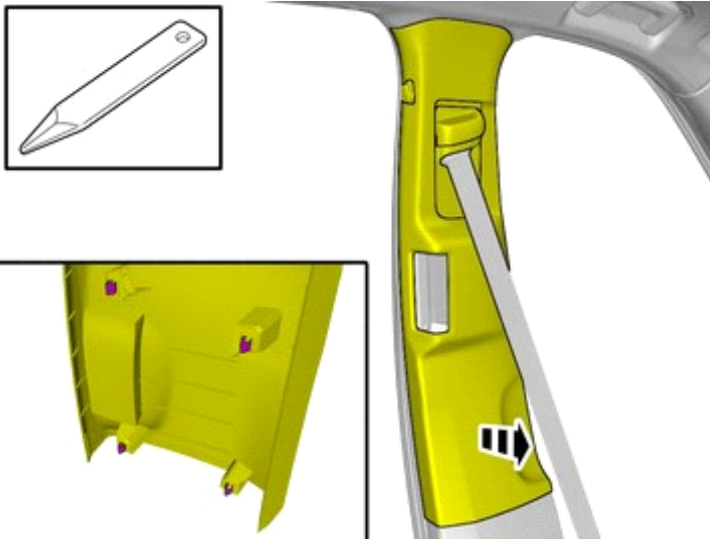
38



IMG-401577

Remove the marked part.

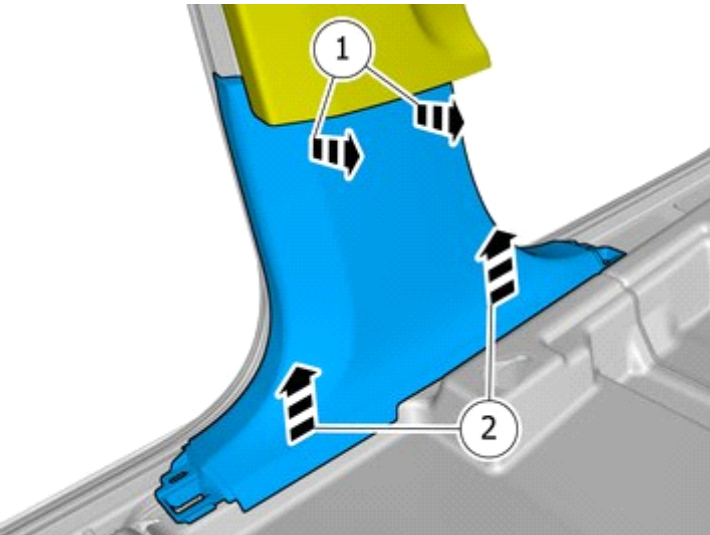
39



IMG-401579

Detach the panel.

40



IMG-401580

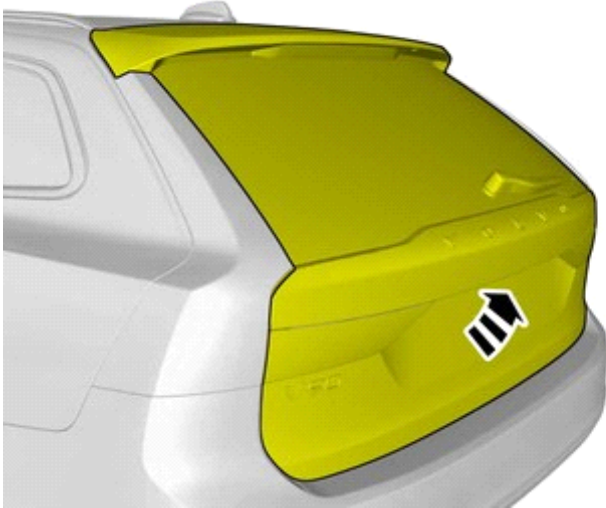
Remove the panel.



Installation instructions, accessories

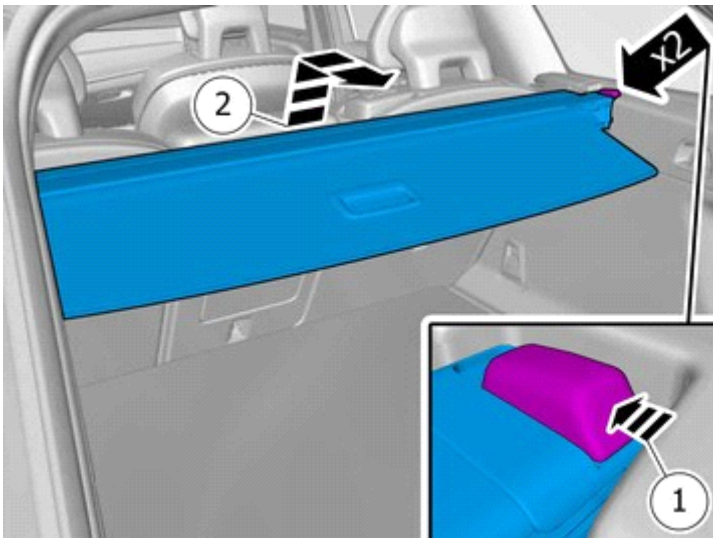
Volvo Car Corporation Gothenburg, Sweden

41



IMG-407110

42



IMG-414611

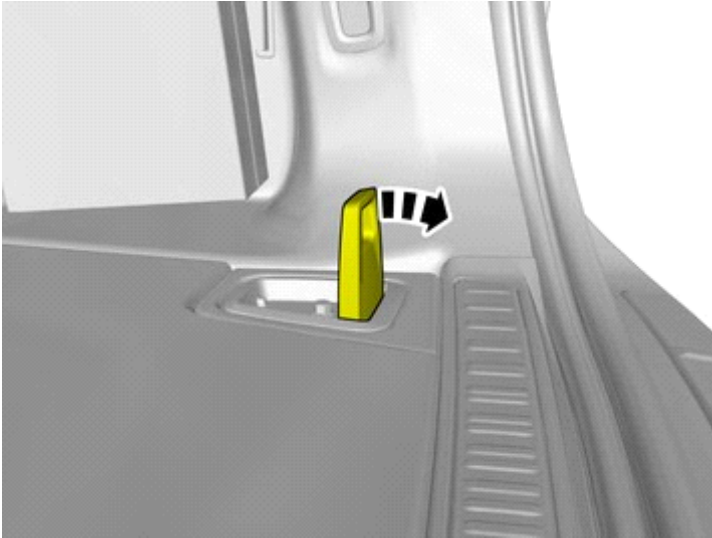
Remove the marked part.



Installation instructions, accessories

Volvo Car Corporation Gothenburg, Sweden

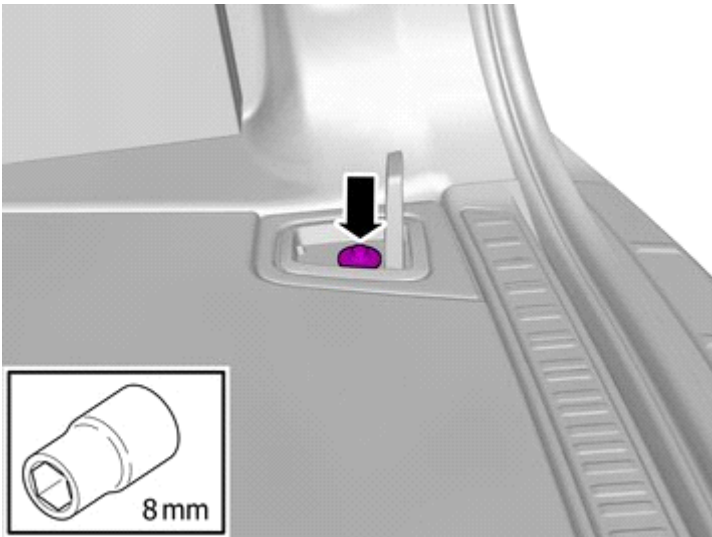
43



IMG-415830

Repeat on the other side.

44



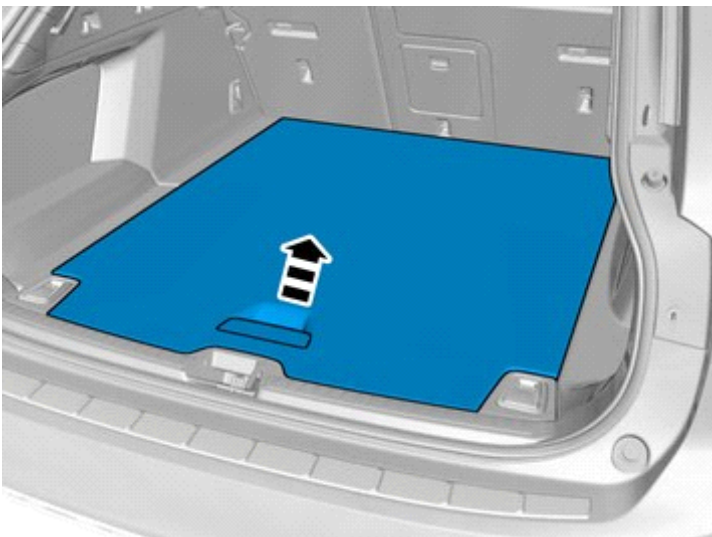
IMG-415831

Remove the screw.

Tightening torque: M6 , 10 Nm

Repeat on the other side.

45



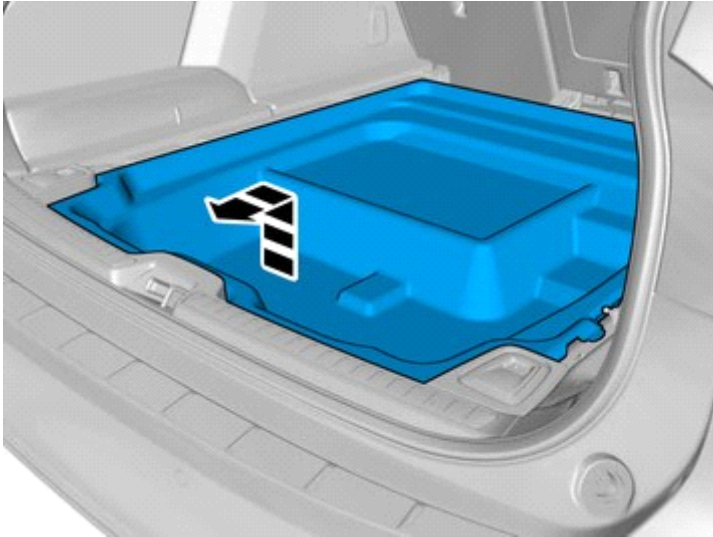
IMG-416086



Installation instructions, accessories

Volvo Car Corporation Gothenburg, Sweden

46

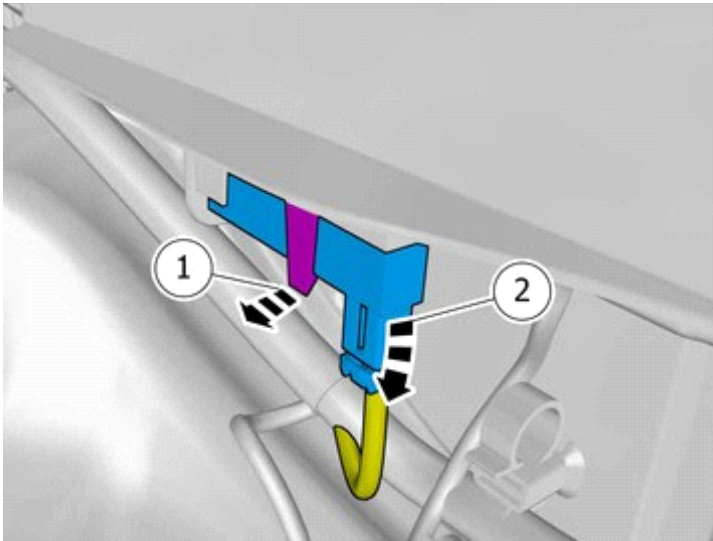


IMG-416087

Remove the marked part.

Vehicles with keyless entry

47



IMG-413321

Disconnect any connector(s).

All vehicles

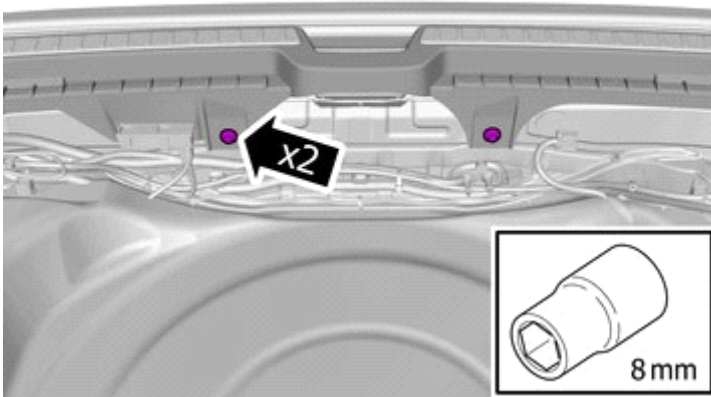


Installation instructions, accessories

Volvo Car Corporation Gothenburg, Sweden

48

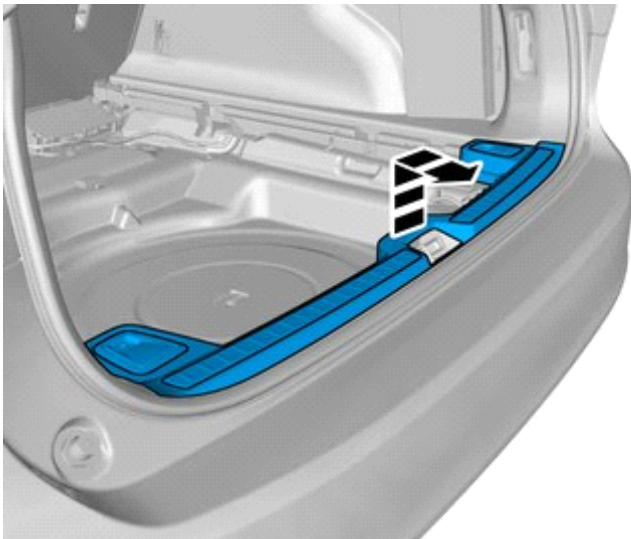
Remove the screws.



IMG-415835

49

Remove the marked part.

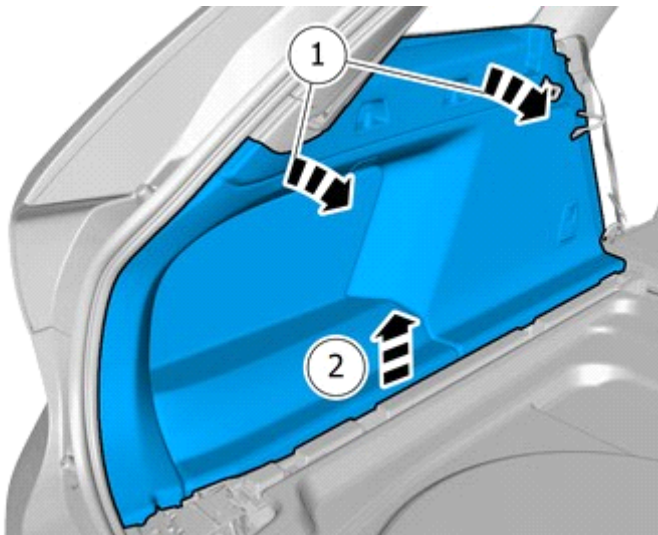


IMG-416089

50

Remove the panel.

Disconnect any connector(s).



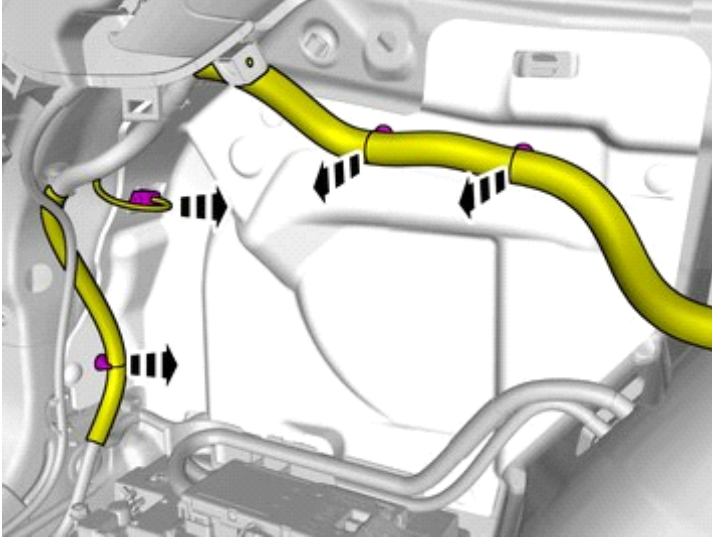
IMG-419165



Installation instructions, accessories

Volvo Car Corporation Gothenburg, Sweden

51

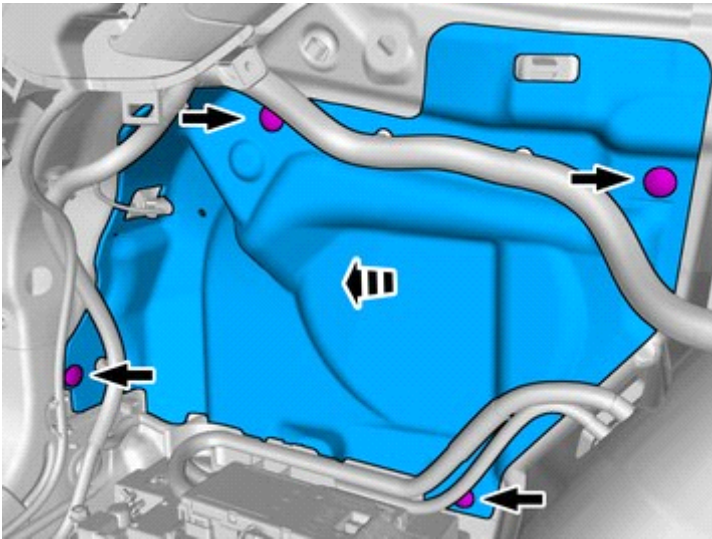


IMG-421391

Disconnect the connector.

Remove the cable harness clips.

52

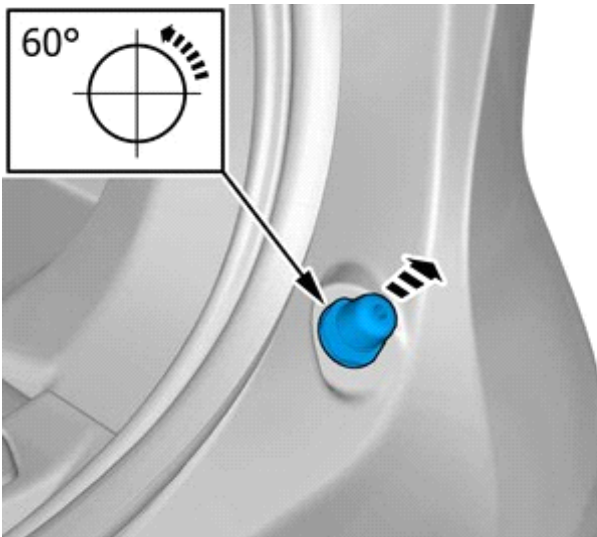


IMG-421395

Remove the clips.

Remove the marked part.

53



IMG-413540

Remove the marked part.

Repeat on the other side.

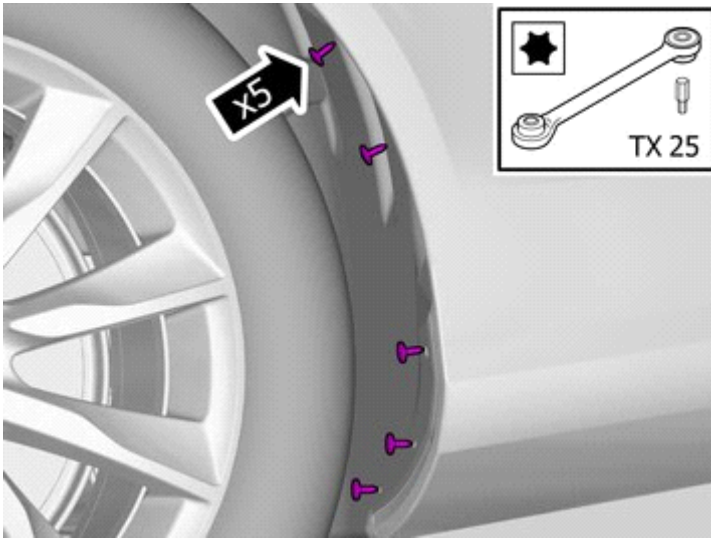
Make sure that the components are not mixed up at the installation.



Installation instructions, accessories

Volvo Car Corporation Gothenburg, Sweden

54



IMG-410325

Remove the screws.

55



IMG-410326

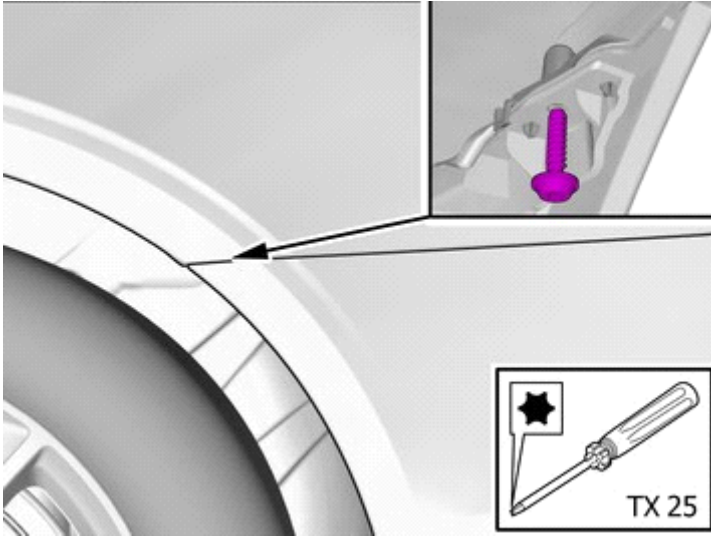
Fold the wing liner to one side.



Installation instructions, accessories

Volvo Car Corporation Gothenburg, Sweden

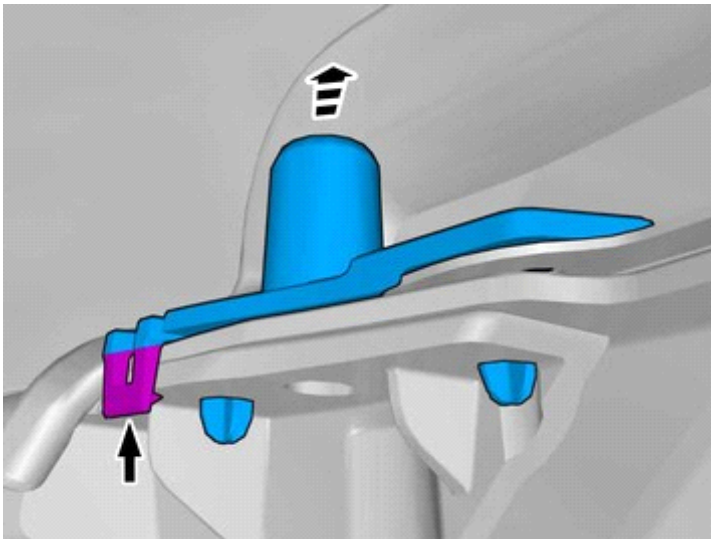
56



IMG-410333

Remove the screw.

57

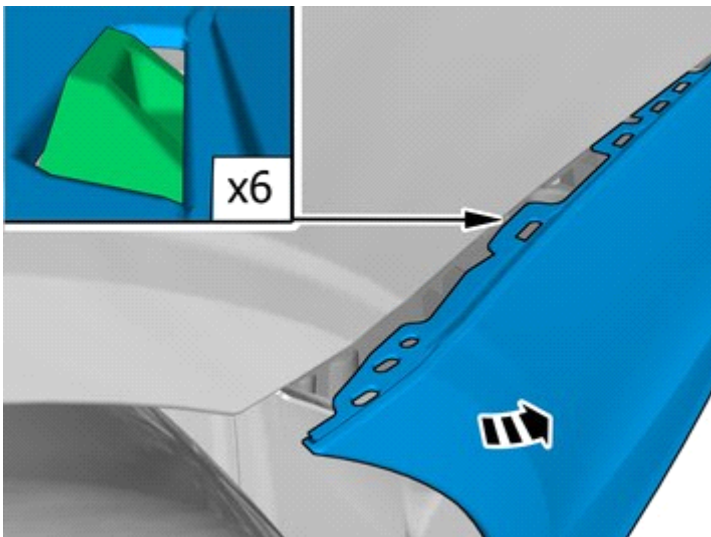


IMG-410335

Release the catch.

Remove the marked part.

58



IMG-410340

Remove the part carefully



Installation instructions, accessories

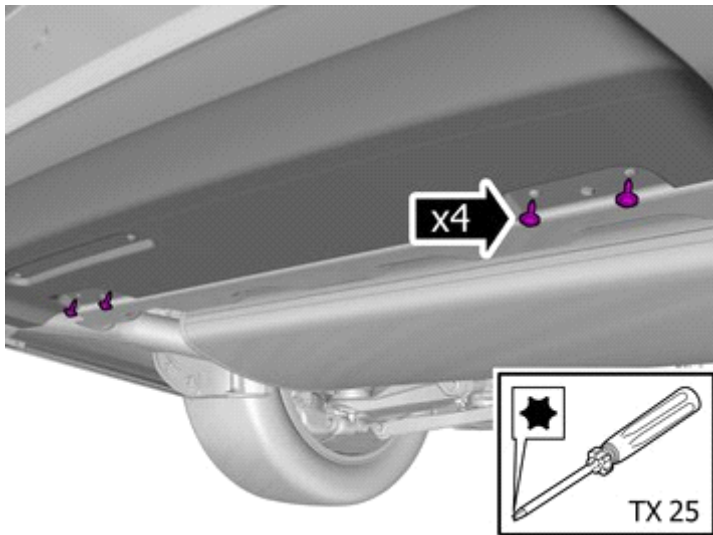
Volvo Car Corporation Gothenburg, Sweden

59

Repeat the steps when removing on opposite side.

IMG-400000

60

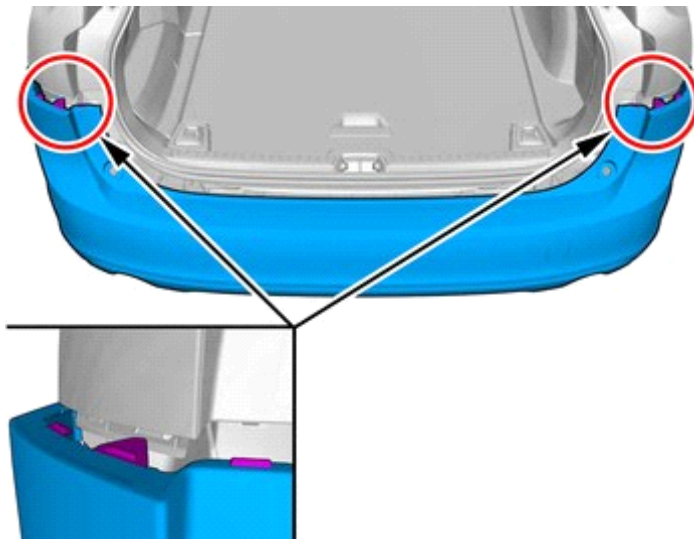


IMG-410355

Raise the car.

Remove the screws.

61



IMG-413535

Note!

This step requires the aid of another technician.

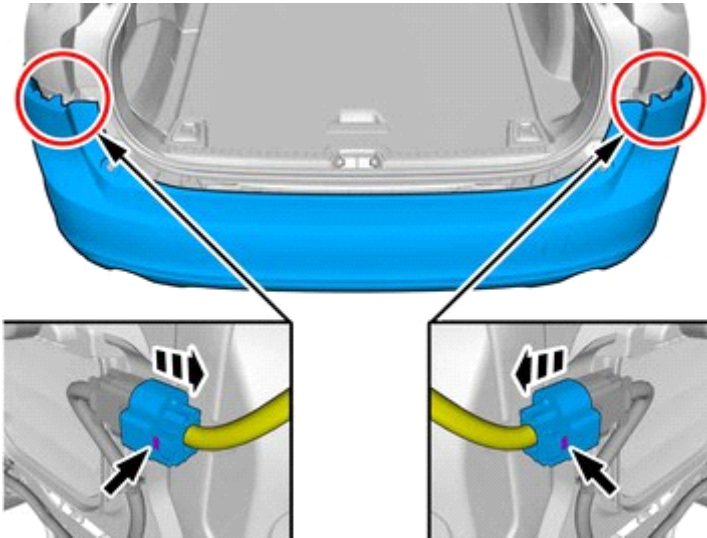
Loosen the component indicated. Do not remove it.



Installation instructions, accessories

Volvo Car Corporation Gothenburg, Sweden

62



IMG-413541

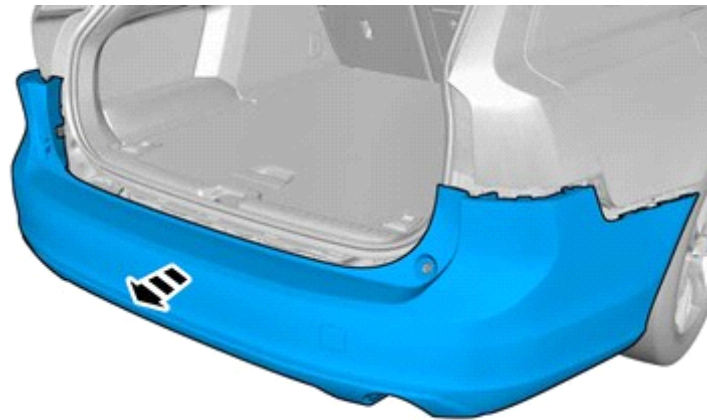
Note!

The number of connectors may vary depending on the vehicle's equipment level.

Release the connector's catch.

Disconnect the connector.

63



IMG-413546

Caution!

Place the Bumper Cover on a suitable surface.

Remove the marked part.

Accessory installation



Installation instructions, accessories

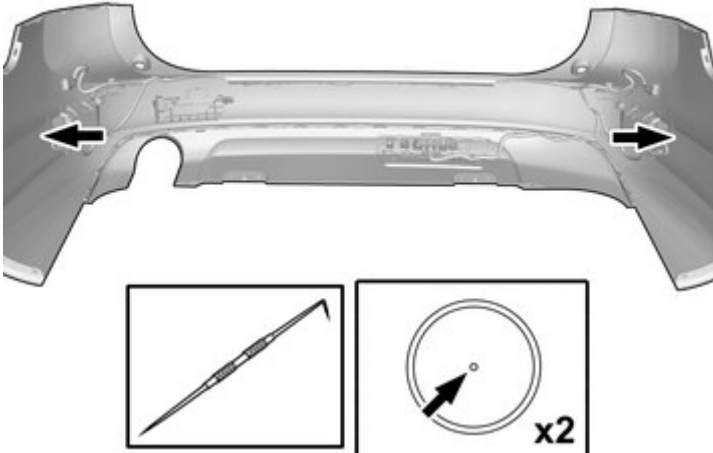
Volvo Car Corporation Gothenburg, Sweden

64

Locate the markings for the positions.

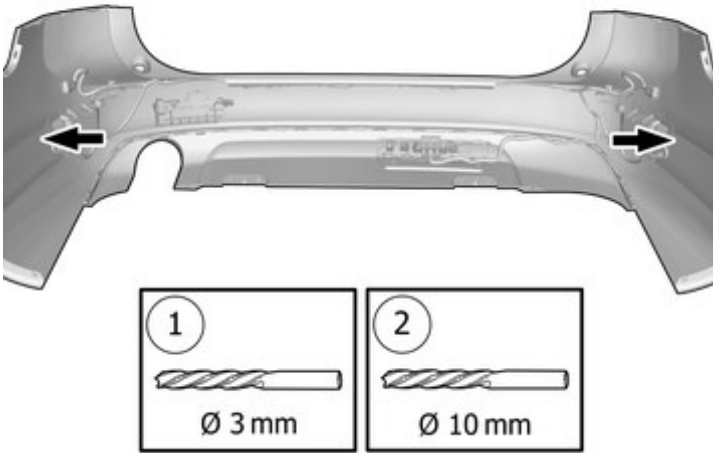
Measure and mark out the centre.

Use: Scribe



IMG-421093

65



IMG-421094

66

Caution!
Sharp end of tool must be on outside of cover.

Use special tool: T9997234, Hole stamp



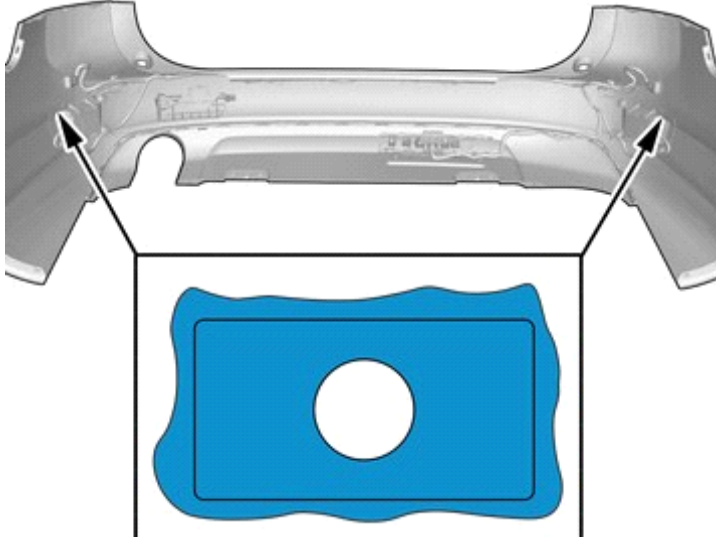
IMG-421095



Installation instructions, accessories

Volvo Car Corporation Gothenburg, Sweden

67

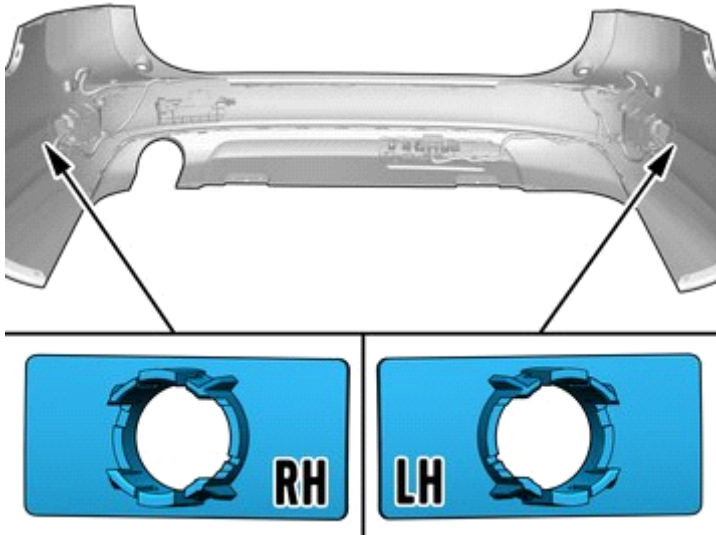


IMG-421096

Clean the surfaces.

Use: , Isopropanol

68



IMG-421098

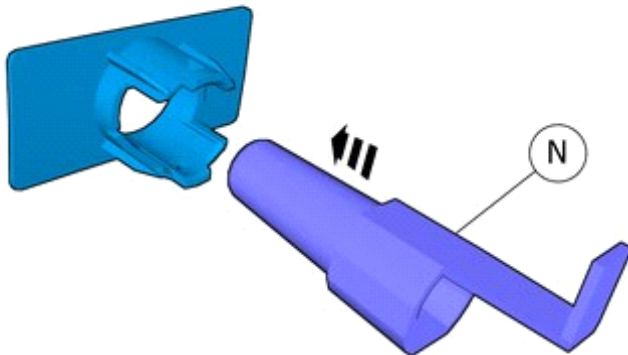
Note!

Note the position.

Note!

Prepare and install one holder at a time.

69



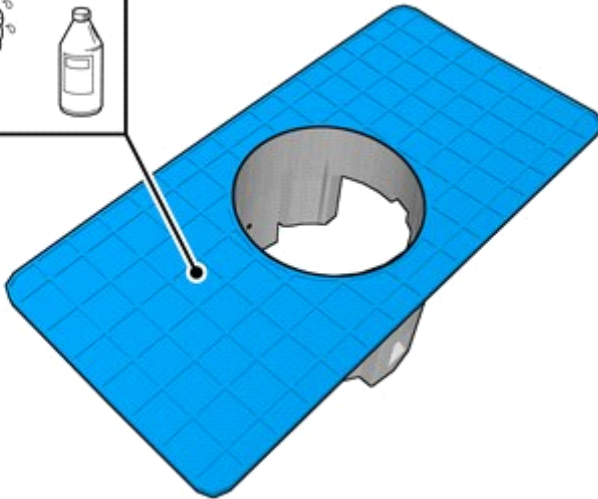
IMG-420220



Installation instructions, accessories

Volvo Car Corporation Gothenburg, Sweden

70

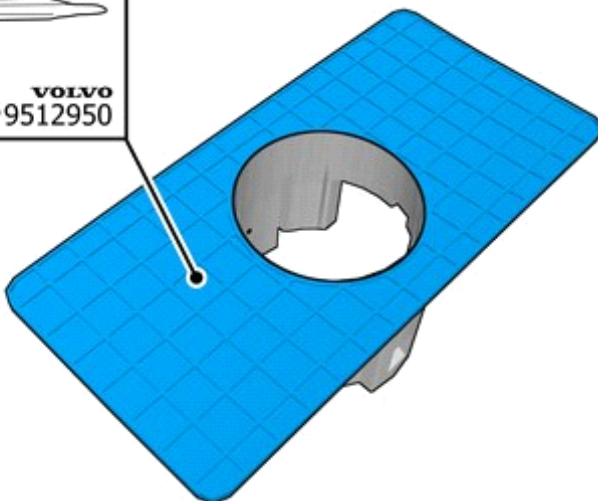


Clean the surface.

Use: , Isopropanol

IMG-420165

71



Warning!

Wear protective gloves.

Warning!

Make sure to provide adequate ventilation.

Apply a thin and even layer.

Use special tool: T9512950, Glue gun (kit)

Use: 1161730, Mixing pipe

Use: 9511027, Glue

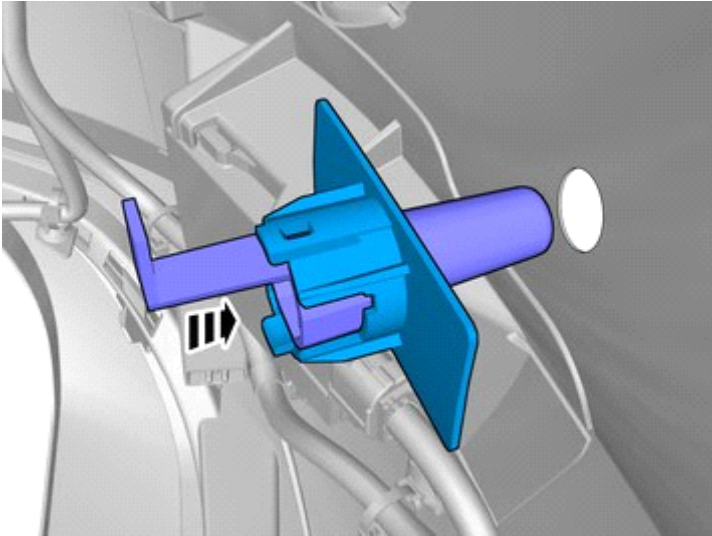
IMG-420166



Installation instructions, accessories

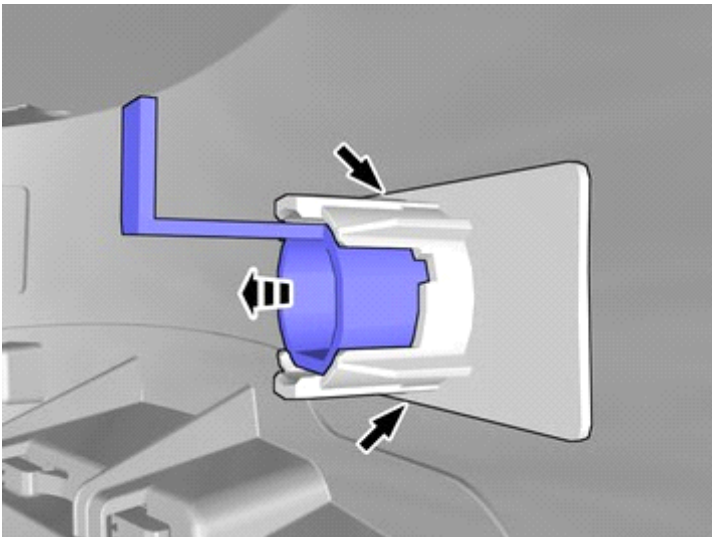
Volvo Car Corporation Gothenburg, Sweden

72



IMG-420219

73

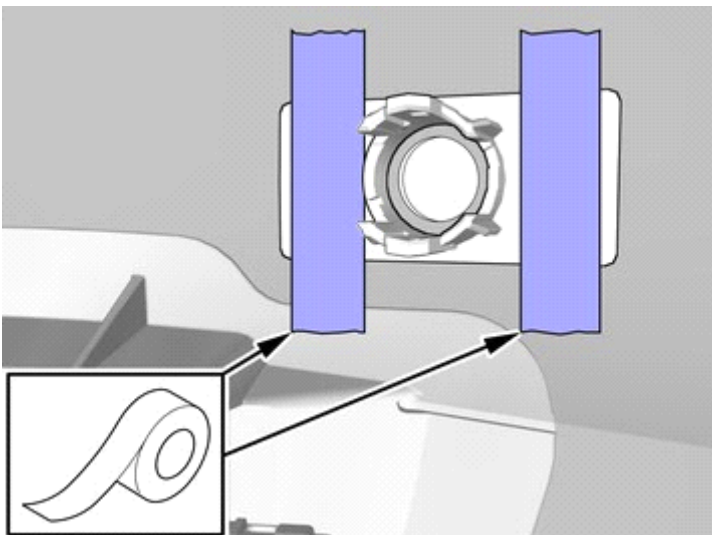


IMG-420218

Note!

Hold the part securely at the marker arrows when removing the tool.

74



IMG-420216

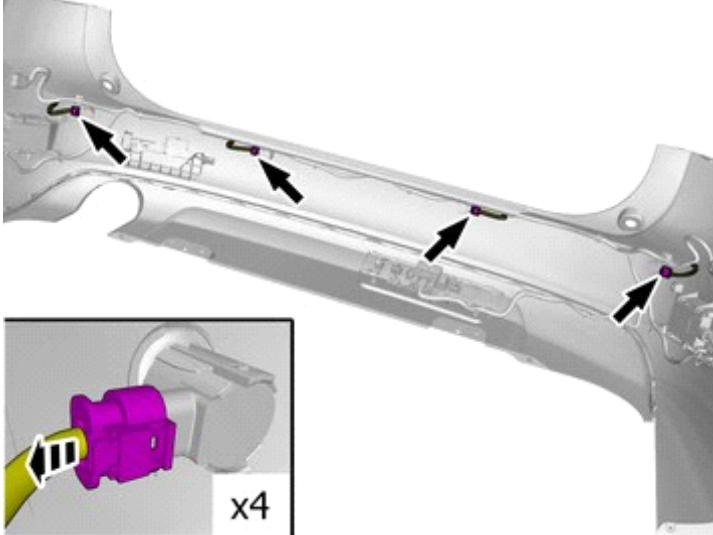
Use: 9511083, Tape



Installation instructions, accessories

Volvo Car Corporation Gothenburg, Sweden

75

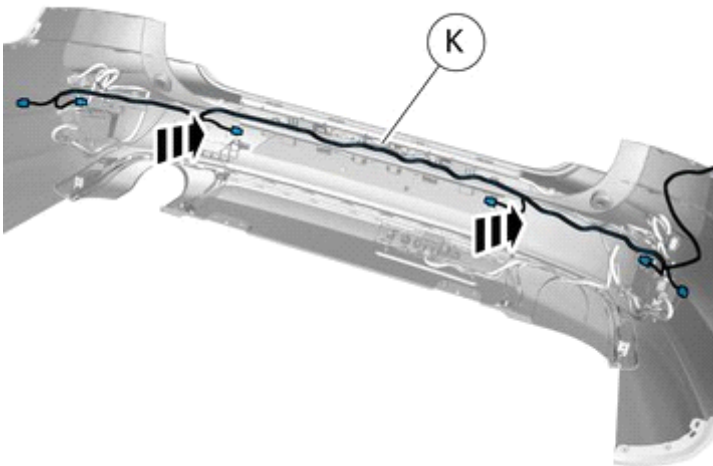


IMG-421100

Disconnect the connectors.

Attach the connector to the wiring harness.

76

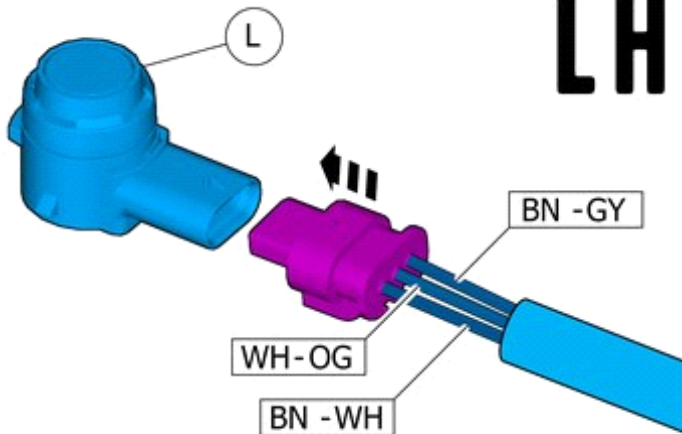


IMG-421101

Install component that comes with the accessory kit.

Put the wiring in the Bumper cover without installing the wiring.

77



Connect the two painted sensors to the external connections.

BN = Brown

GY = Grey

OG = Orange

WH = White

IMG-420335

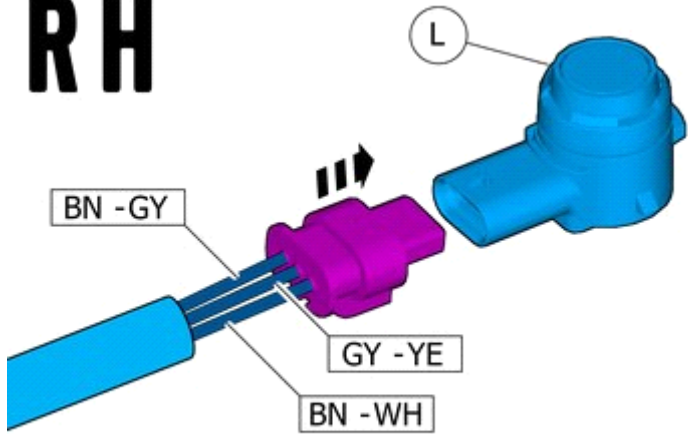


Installation instructions, accessories

Volvo Car Corporation Gothenburg, Sweden

78

RH



BN = Brown

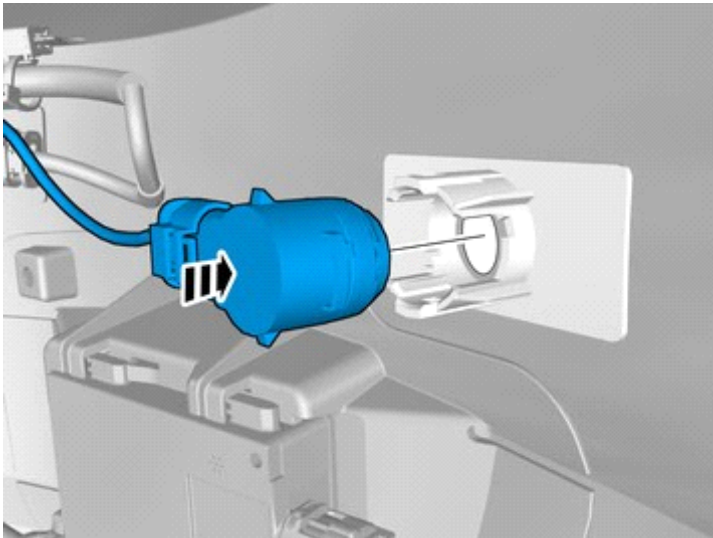
GY = Grey

WH = White

YE = Yellow

IMG-420337

79



Repeated on the right-hand side.

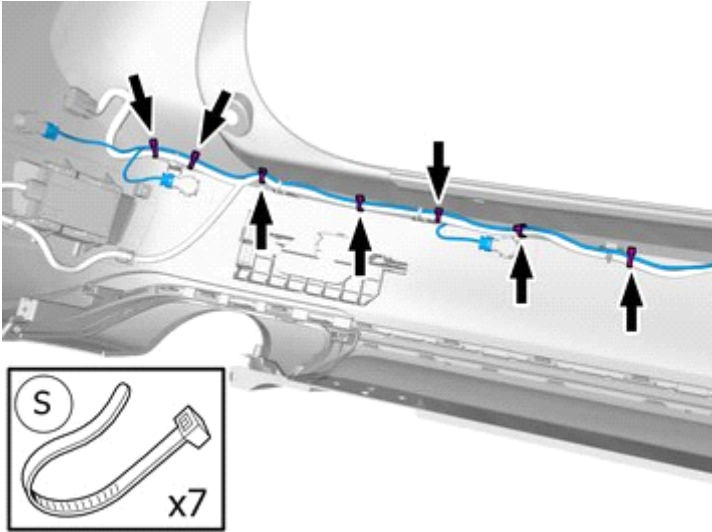
IMG-420338



Installation instructions, accessories

Volvo Car Corporation Gothenburg, Sweden

80



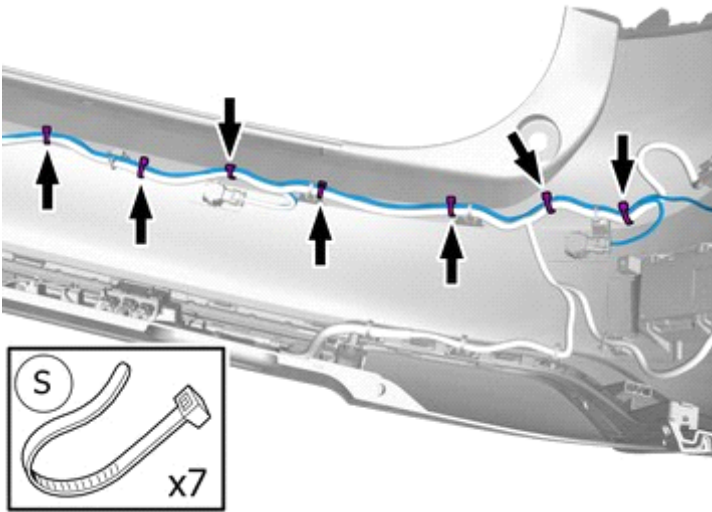
IMG-421105

Route the wire adjacent to existing wirings.

Install the cable.

Use a cable tie

81



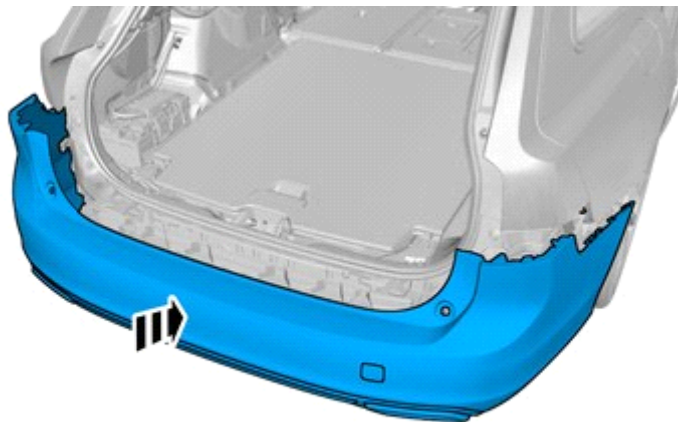
IMG-421106

Route the wire adjacent to existing wirings.

Install the cable.

Use a cable tie

82



IMG-421111

Note!

This step is easier with two people.

Place the Bumper Cover in position for installation.

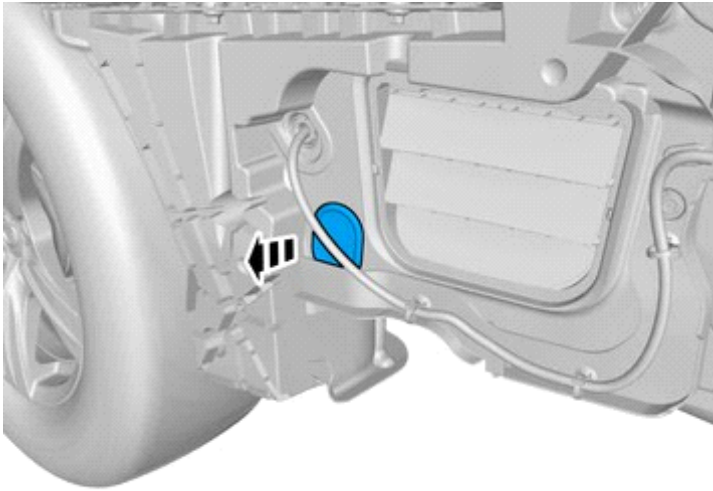


Installation instructions, accessories

Volvo Car Corporation Gothenburg, Sweden

Vehicles without aftermarket-installed Parking assistance

83

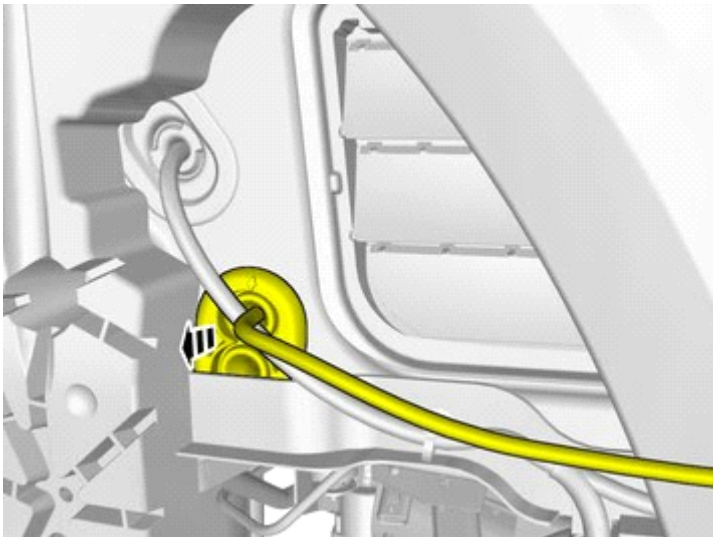


Remove the marked part.

IMG-415410

Vehicles with aftermarket-installed Parking assistance

84



Loosen the component indicated. Do not remove it.

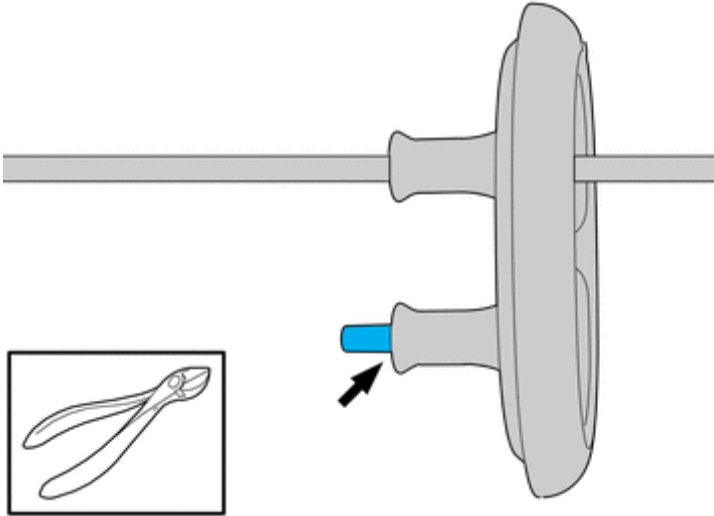
IMG-420170



Installation instructions, accessories

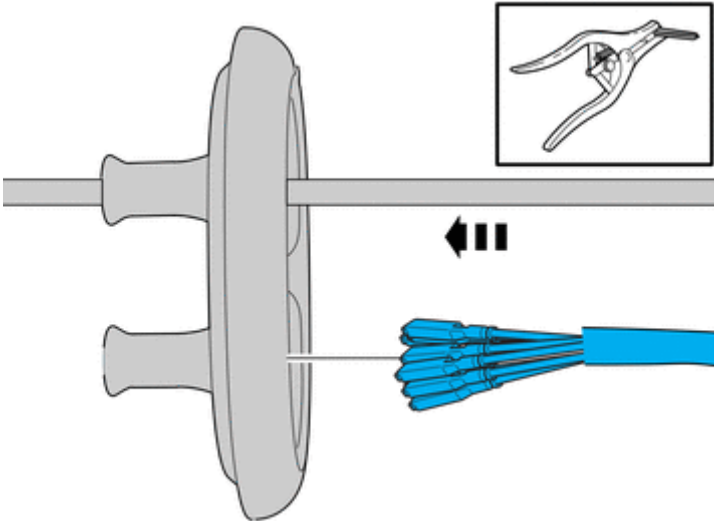
Volvo Car Corporation Gothenburg, Sweden

85



IMG-420171

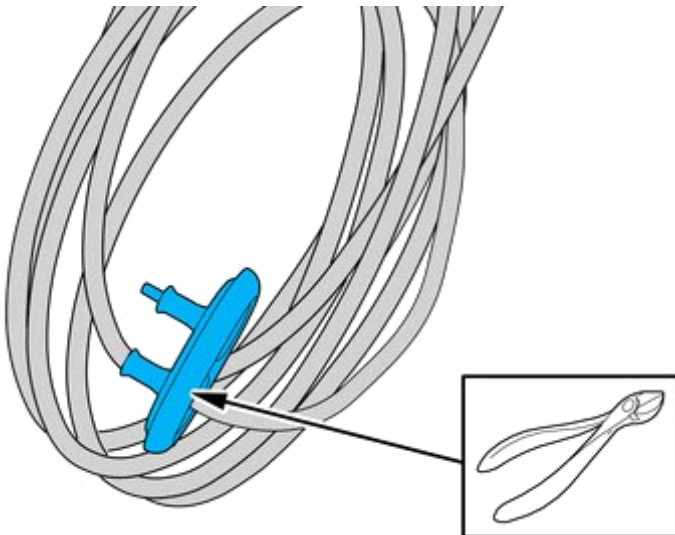
86



IMG-420173

Use special tool: T9814203, Expander pliers

87



IMG-416935

Remove the marked part.

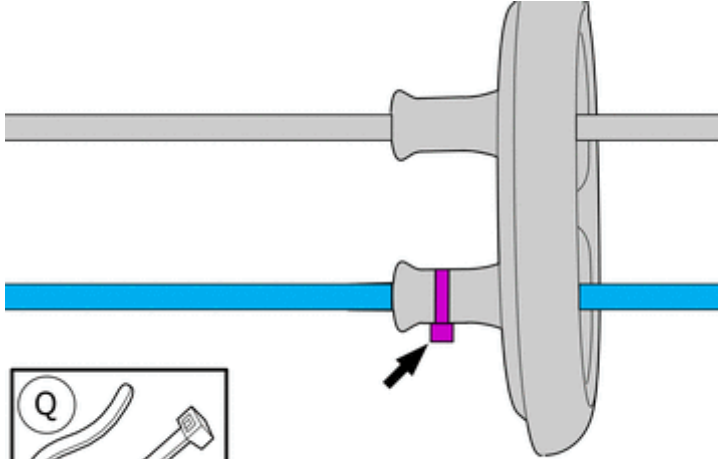
The part is not to be reused.



Installation instructions, accessories

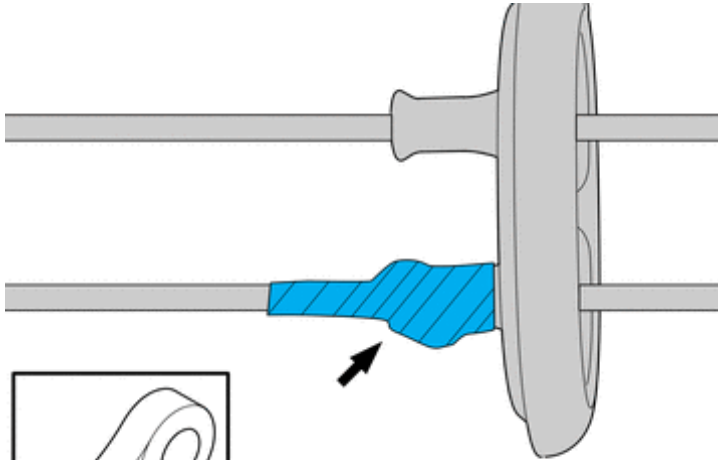
Volvo Car Corporation Gothenburg, Sweden

88



IMG-420175

89



IMG-420362

Use: , Electrical tape

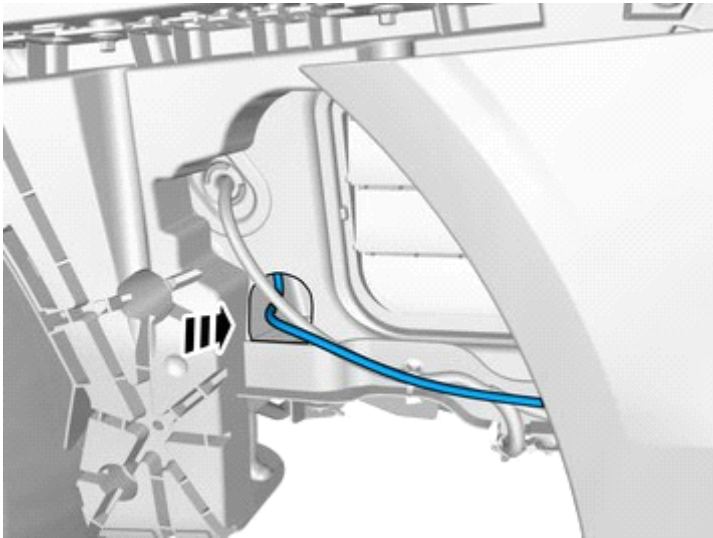
All vehicles



Installation instructions, accessories

Volvo Car Corporation Gothenburg, Sweden

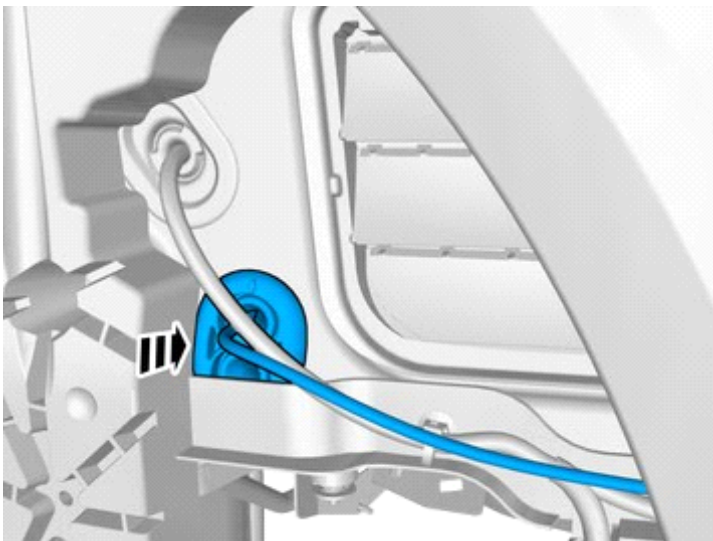
90



IMG-415415

Route the wiring harness into the passenger compartment.

91

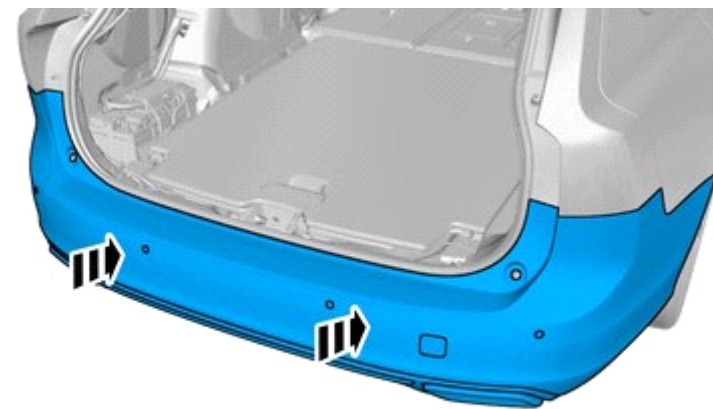


IMG-415420

Caution!

Make sure that the rubber grommet seals properly to the body.

92



Reinstall the bumper.

IMG-421112

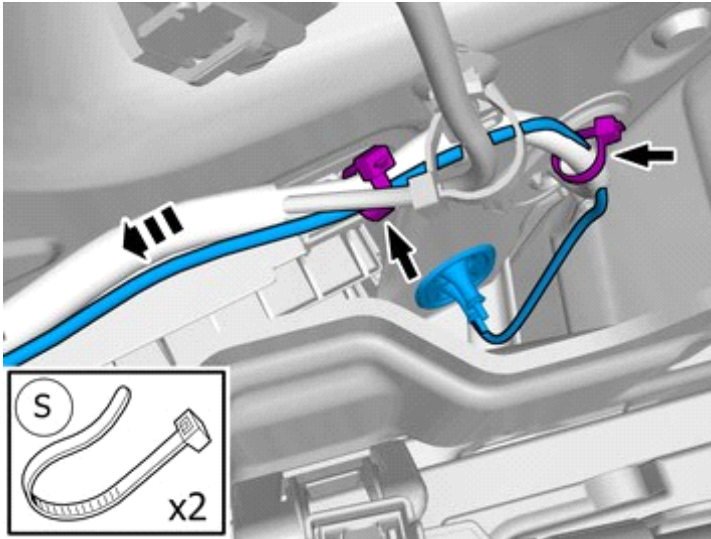


Installation instructions, accessories

Volvo Car Corporation Gothenburg, Sweden

All vehicles

93



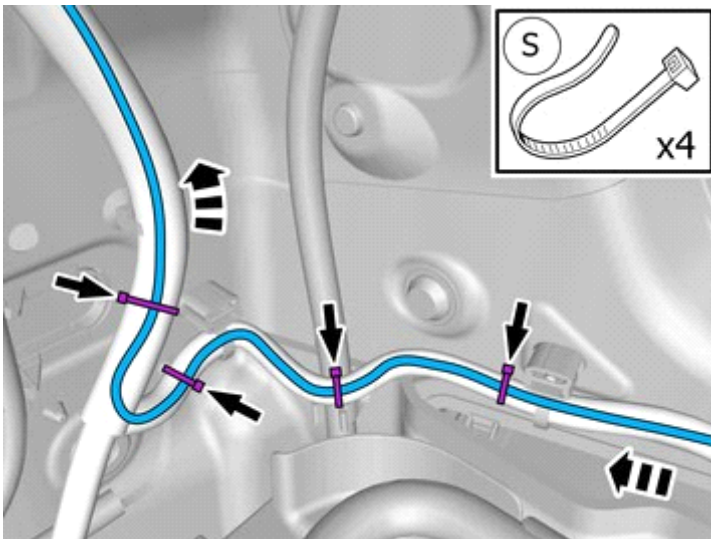
IMG-421136

Route the wire adjacent to existing wirings.

Install the cable.

Use a cable tie

94



IMG-421143

Route the wire adjacent to existing wirings.

Install the cable.

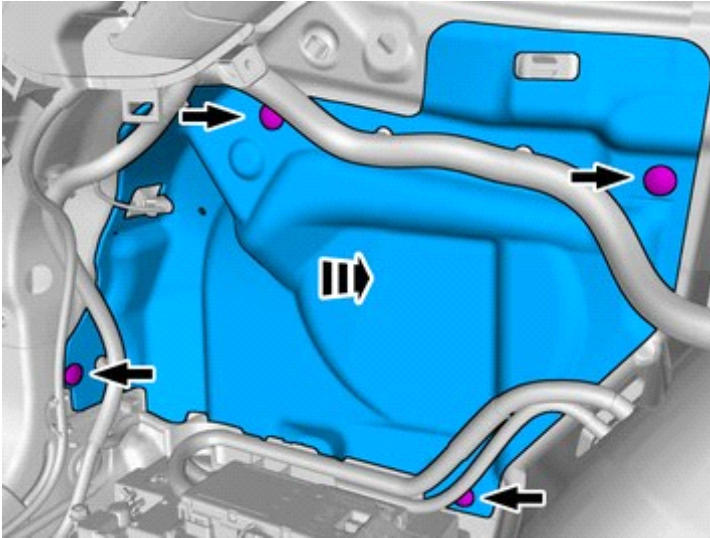
Use a cable tie



Installation instructions, accessories

Volvo Car Corporation Gothenburg, Sweden

95

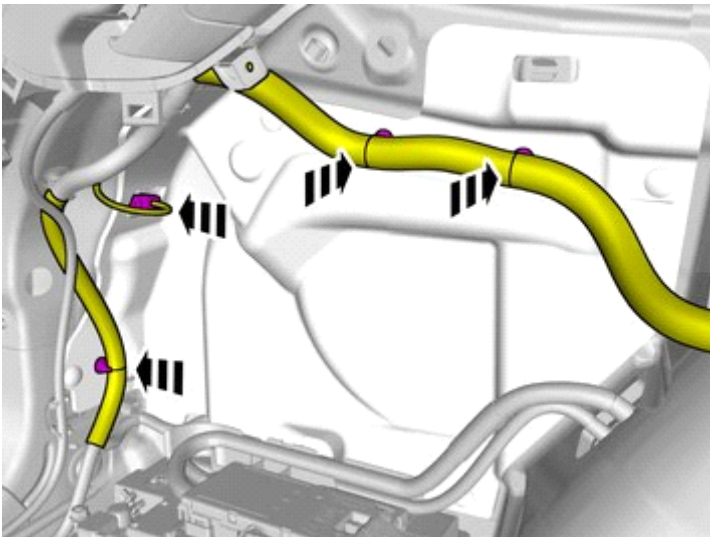


IMG-421396

Reinstall the insulation mat.

Reinstall the clips.

96

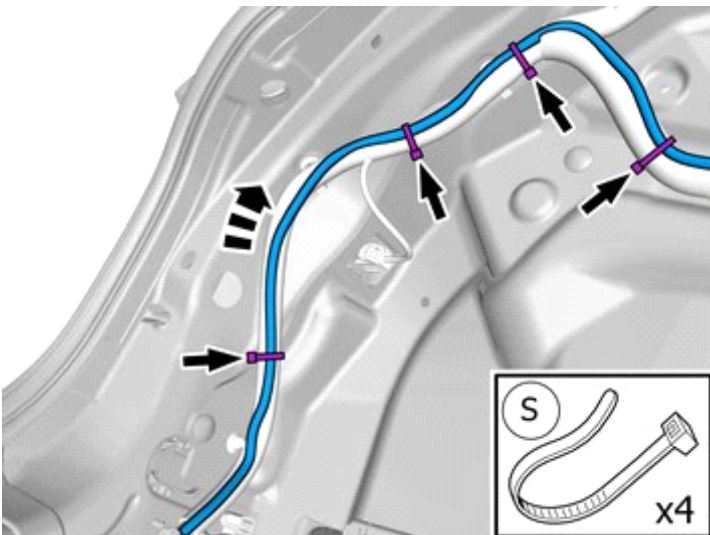


IMG-421397

Connect the connector.

Install the wiring harness.

97



IMG-421144

Route the wire adjacent to existing wirings.

Install the cable.

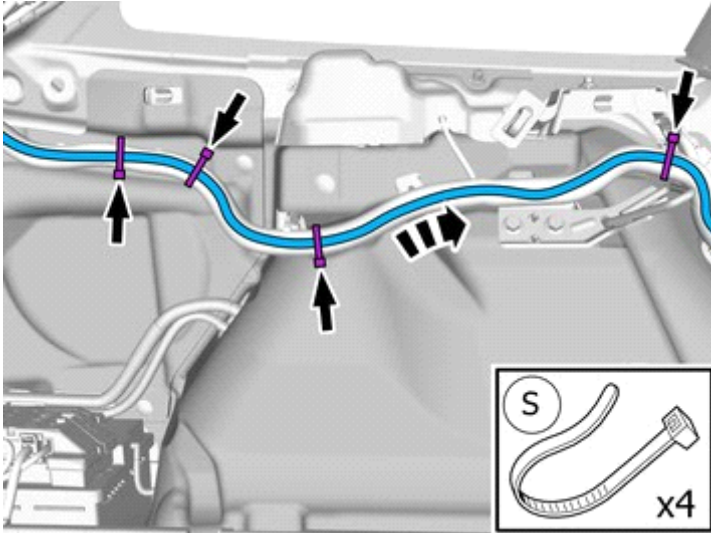
Use a cable tie



Installation instructions, accessories

Volvo Car Corporation Gothenburg, Sweden

98



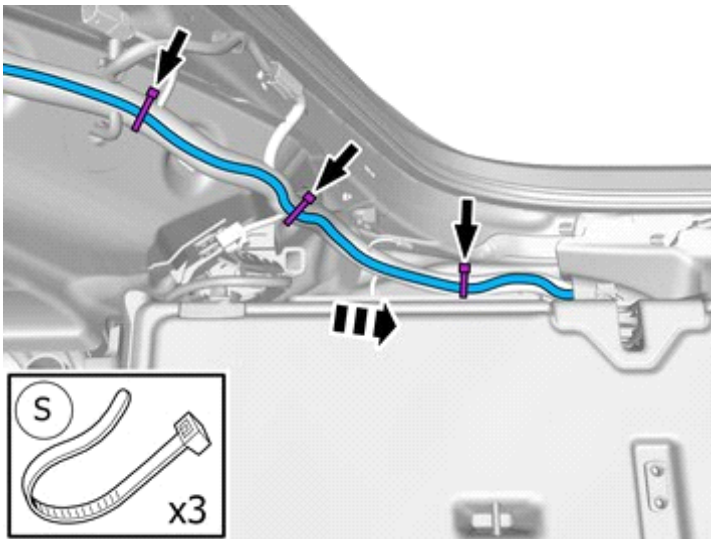
IMG-421145

Route the wire adjacent to existing wirings.

Install the cable.

Use a cable tie

99



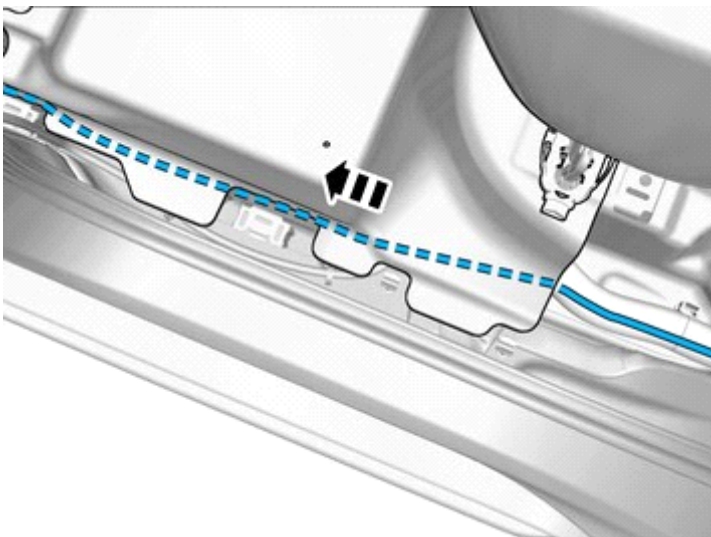
IMG-421146

Route the wire adjacent to existing wirings.

Install the cable.

Use a cable tie

100



Position/route the cable as illustrated.

Install the cable.

Use a cable tie

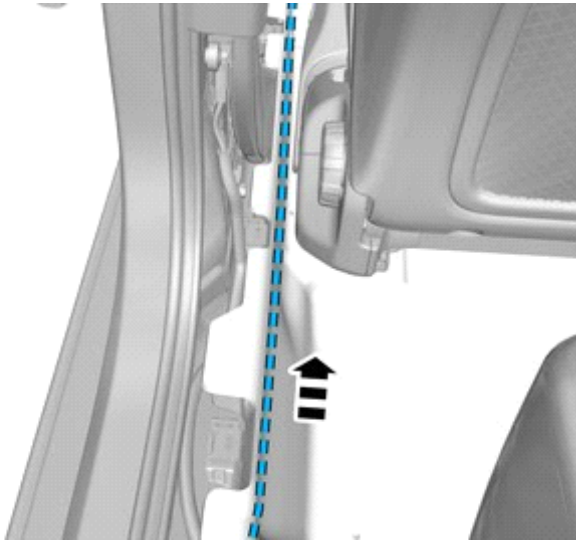
IMG-420500



Installation instructions, accessories

Volvo Car Corporation Gothenburg, Sweden

101



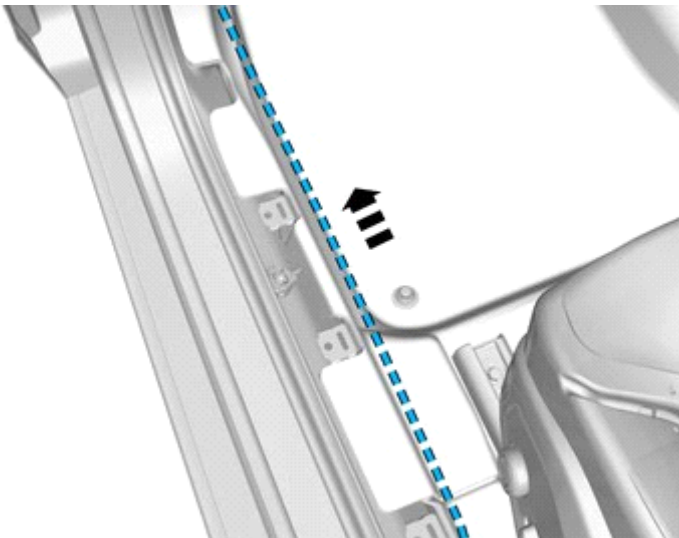
IMG-420502

Note!

Route the wiring between floor carpet and air duct.

Position/route the cable as illustrated.

102



IMG-420504

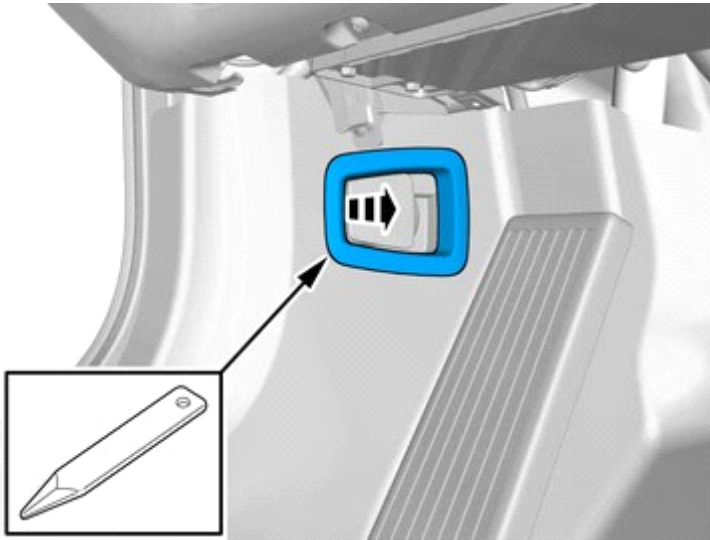
Position/route the cable as illustrated.



Installation instructions, accessories

Volvo Car Corporation Gothenburg, Sweden

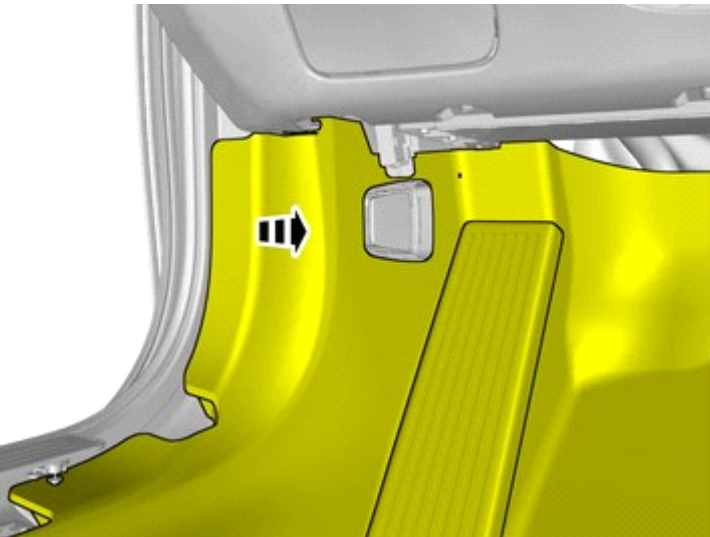
103



IMG-421281

Remove the marked part.

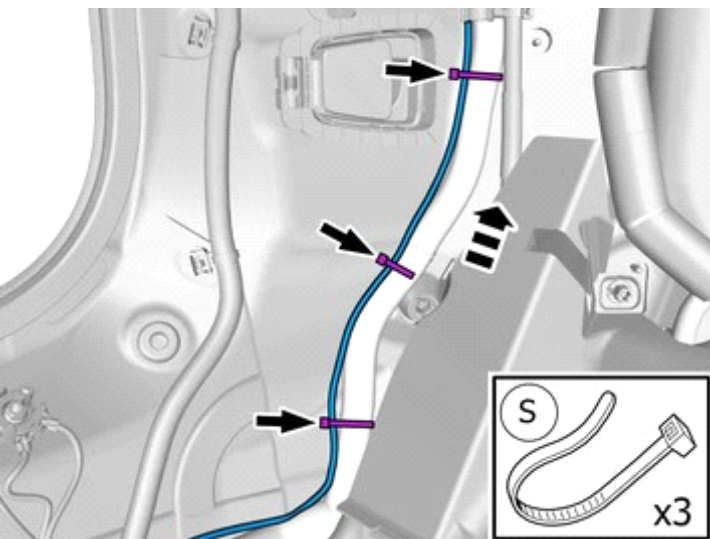
104



IMG-421282

Fold the carpet to the side.

105



IMG-421283

Route the wire adjacent to existing wirings.

Install the cable.

Use a cable tie

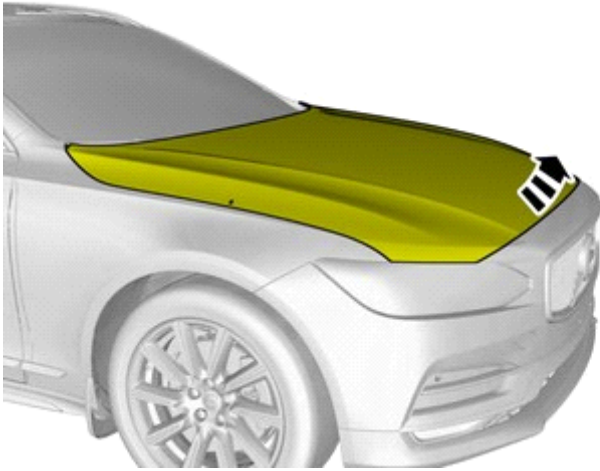


Installation instructions, accessories

Volvo Car Corporation Gothenburg, Sweden

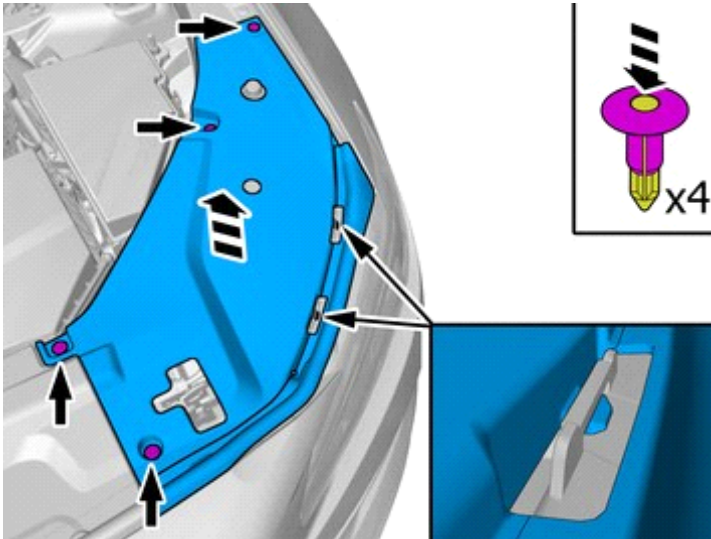
106

Open the hood.



IMG-420320

107



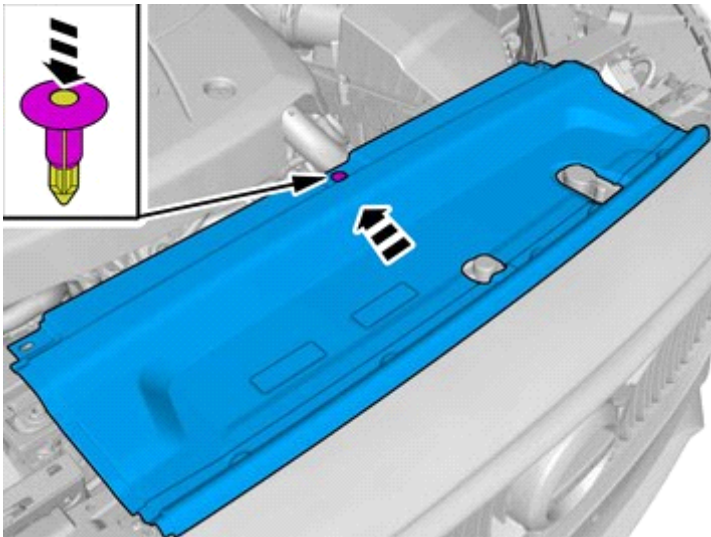
IMG-412677

Remove the clips.

Remove the marked part.

Repeat on the other side.

108



IMG-412680

Remove the clip.

Remove the marked part.

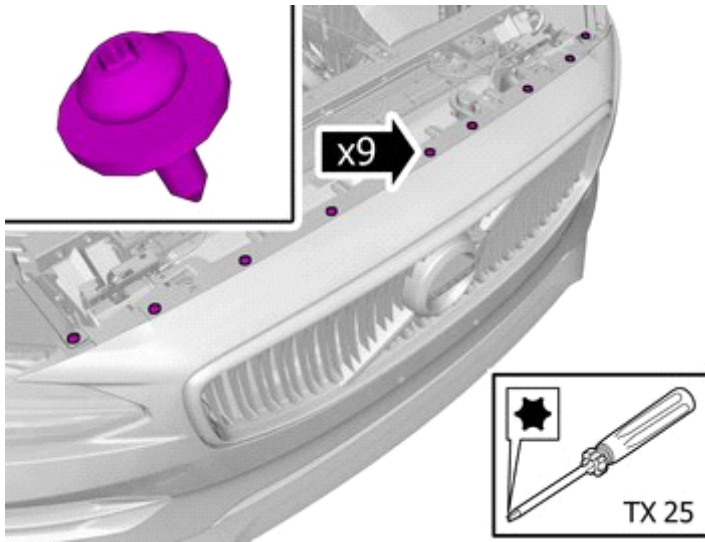
Repeat on the other side.



Installation instructions, accessories

Volvo Car Corporation Gothenburg, Sweden

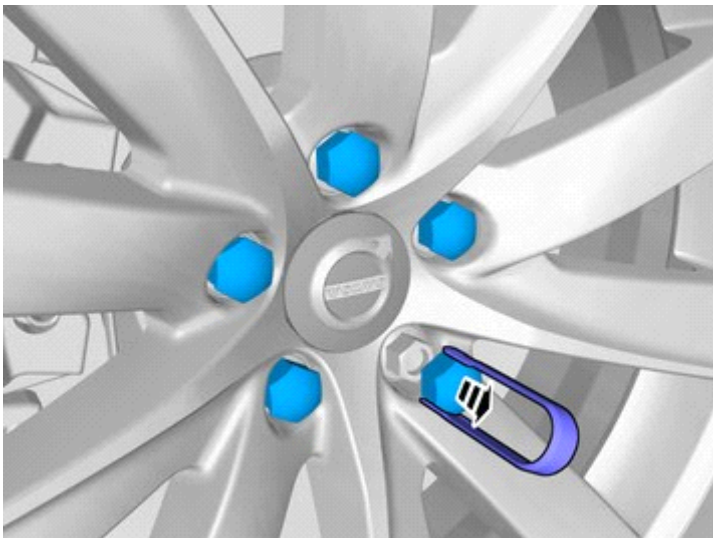
109



IMG-412681

Remove the screws.

110



IMG-403425

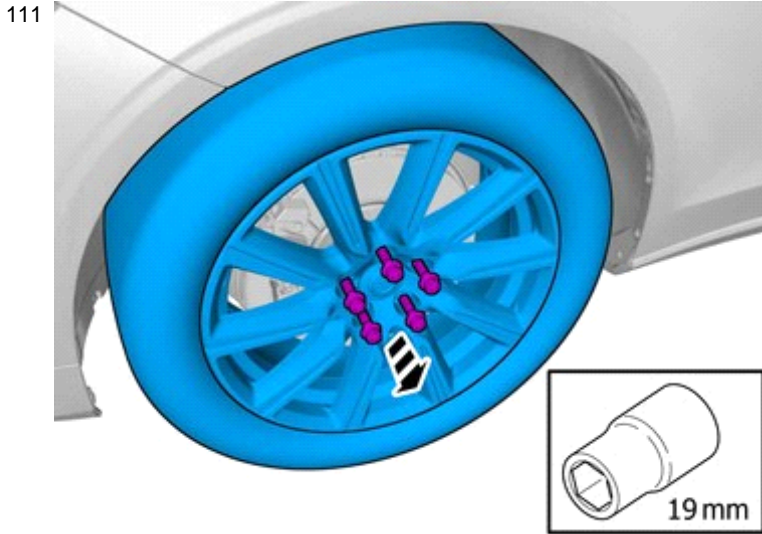
Remove the marked part.

Use: Pliers



Installation instructions, accessories

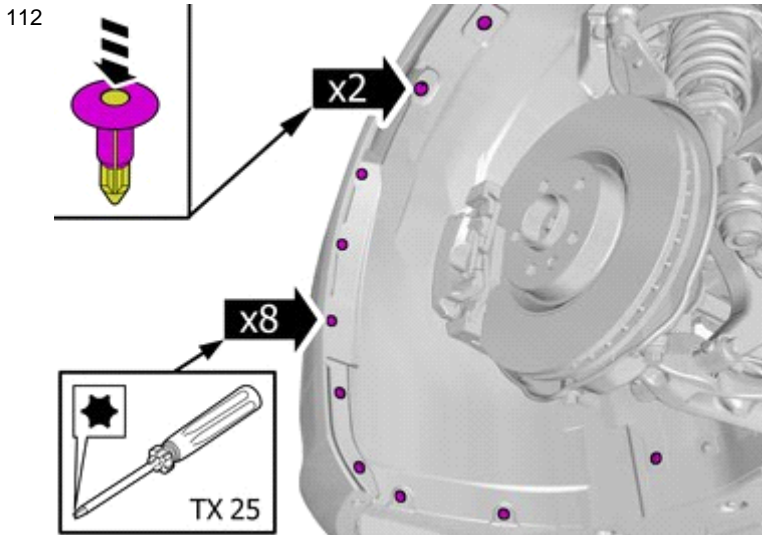
Volvo Car Corporation Gothenburg, Sweden



IMG-415975

Remove the screws.

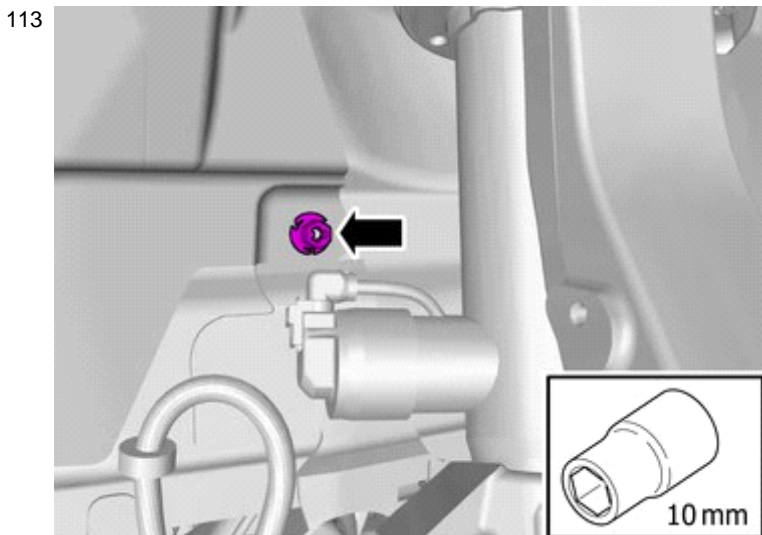
Remove the marked part.



IMG-412692

Remove the clips.

Remove the screws.



IMG-412697

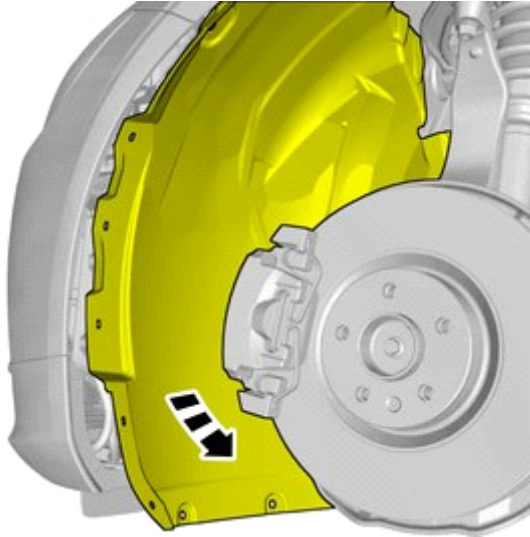
Remove the nut.



Installation instructions, accessories

Volvo Car Corporation Gothenburg, Sweden

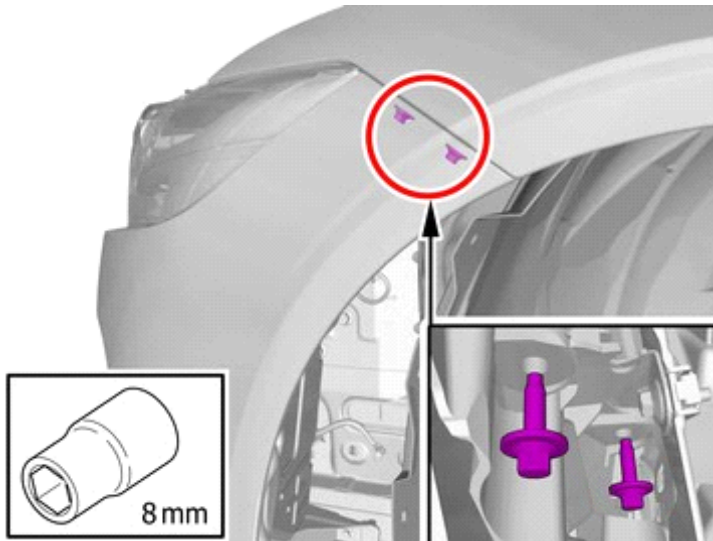
114



Fold the wing liner to one side.

IMG-412710

115



Remove the screws.

IMG-412715

116

Repeat the steps when removing on opposite side.

IMG-400000

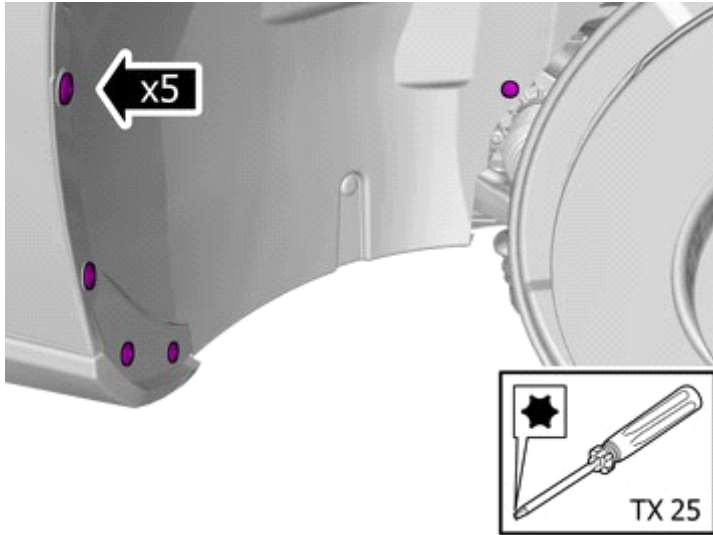


Installation instructions, accessories

Volvo Car Corporation Gothenburg, Sweden

Applies to the right-hand side

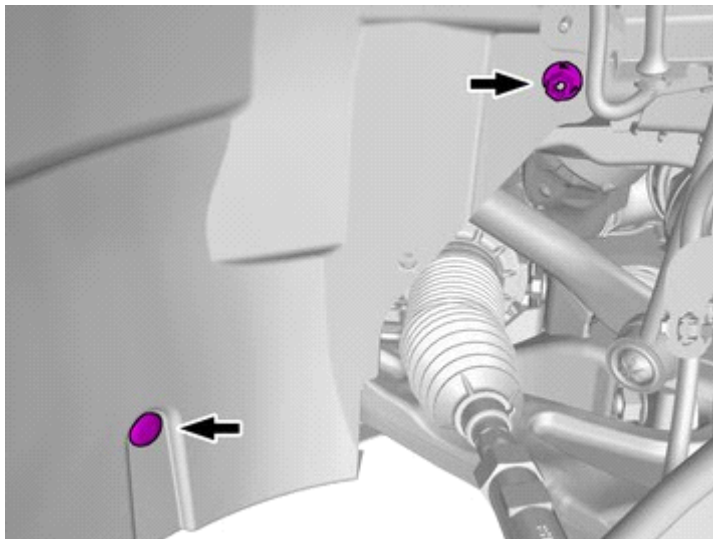
117



IMG-420880

Remove the screws.

118



IMG-420881

Remove the clip.

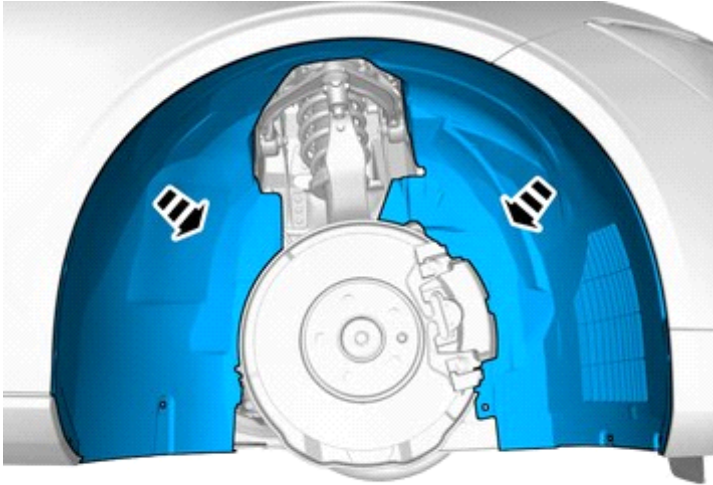
Remove the nut.



Installation instructions, accessories

Volvo Car Corporation Gothenburg, Sweden

119

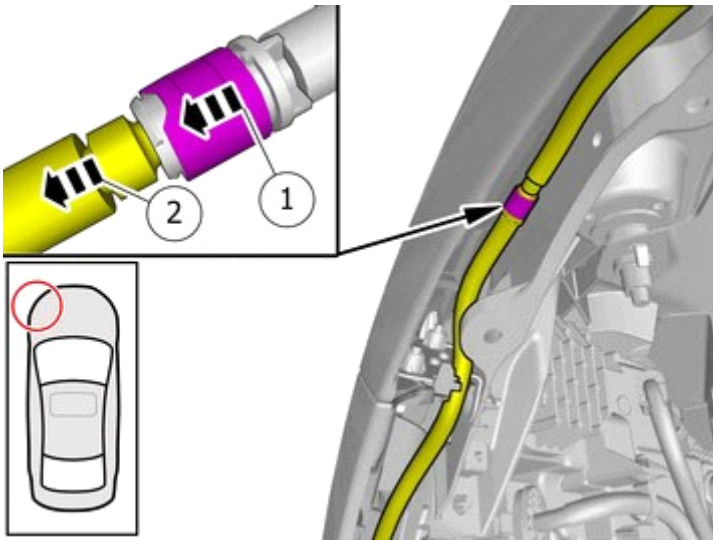


Remove the marked part.

IMG-420883

Vehicles with headlamp washers

120



IMG-412745

Warning!

Be prepared to collect escaping fluid.

Release the lock.

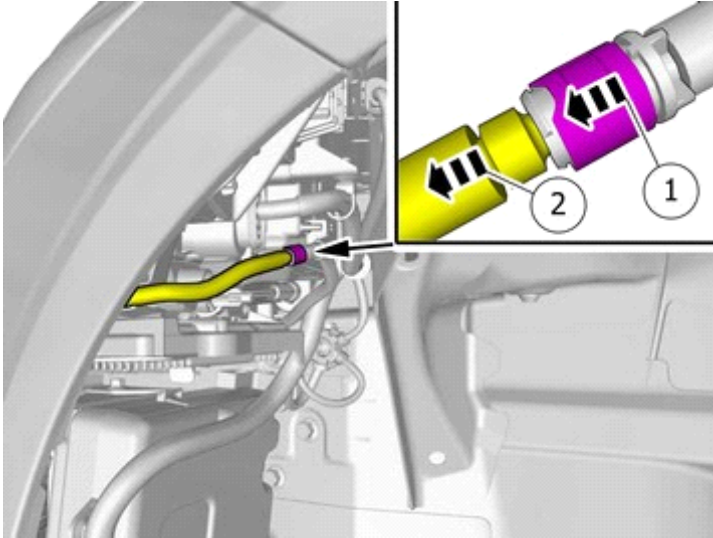
Loosen the marked detail/details.



Installation instructions, accessories

Volvo Car Corporation Gothenburg, Sweden

121



IMG-412750

Warning!

Be prepared to collect escaping fluid.

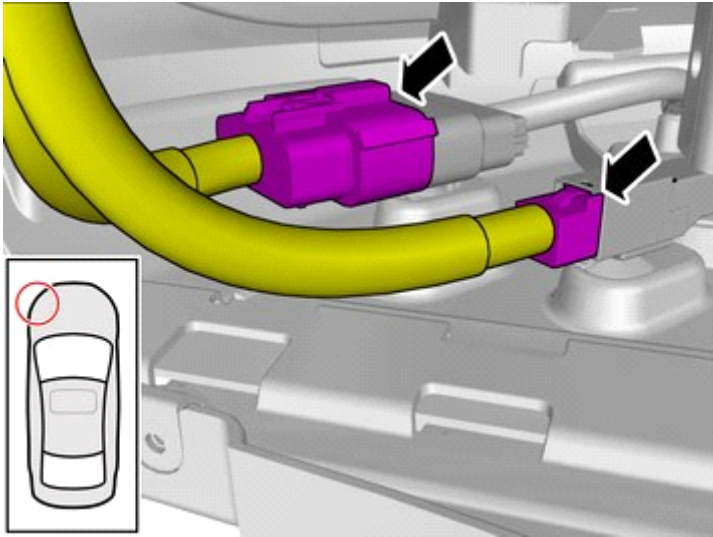
Release the lock.

Loosen the marked detail/details.

Repeat on the other side.

All vehicles

122



IMG-412730

Note!

The number of connectors may vary depending on the vehicle's equipment level.

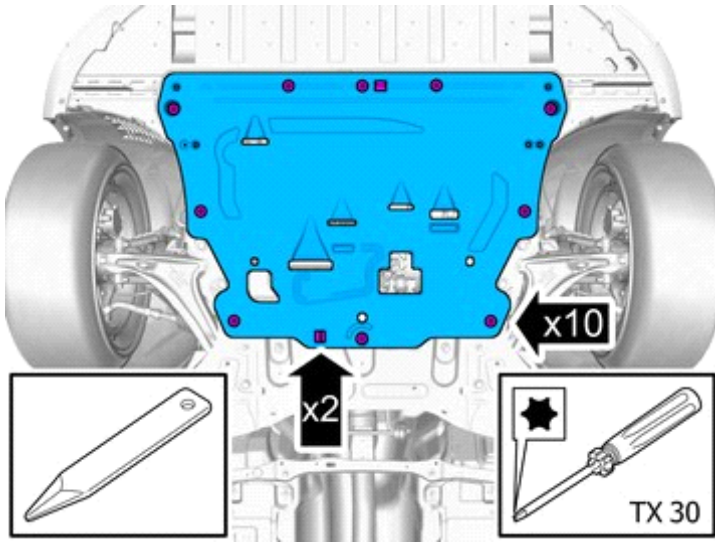
Disconnect the connectors.



Installation instructions, accessories

Volvo Car Corporation Gothenburg, Sweden

123



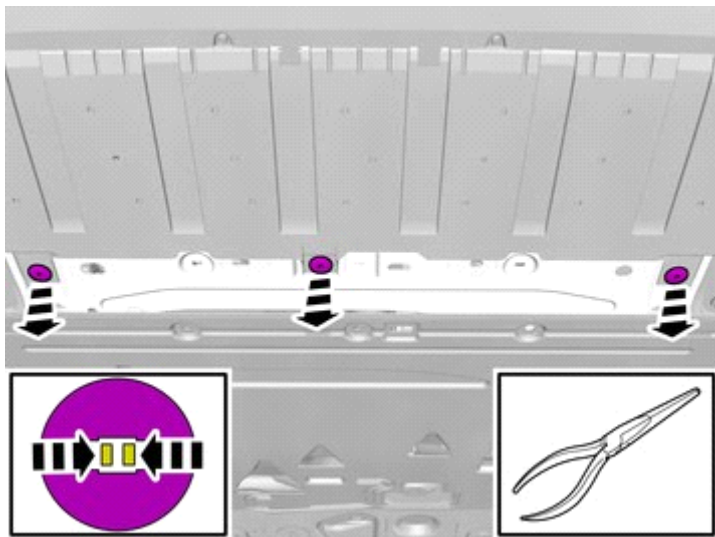
IMG-420663

Remove the clips.

Remove the screws.

Remove the marked part.

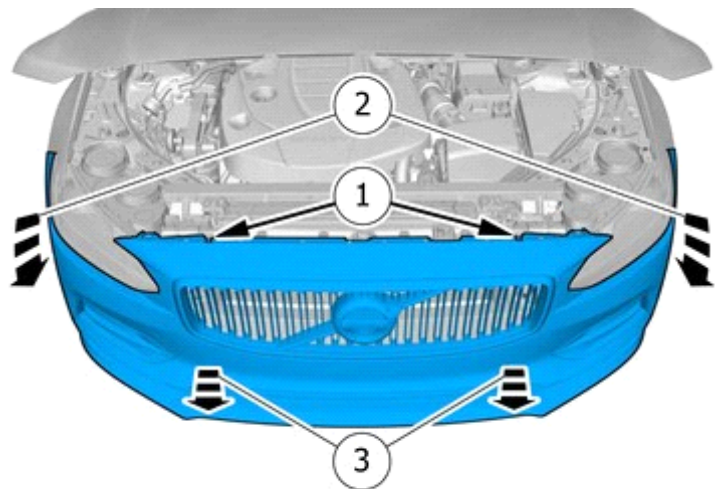
124



IMG-412725

Remove the clips.

125



IMG-412771

Caution!

Place the Bumper Cover on a suitable surface.

Note!

This step is easier with two people.

Release the catches.

Remove the part carefully

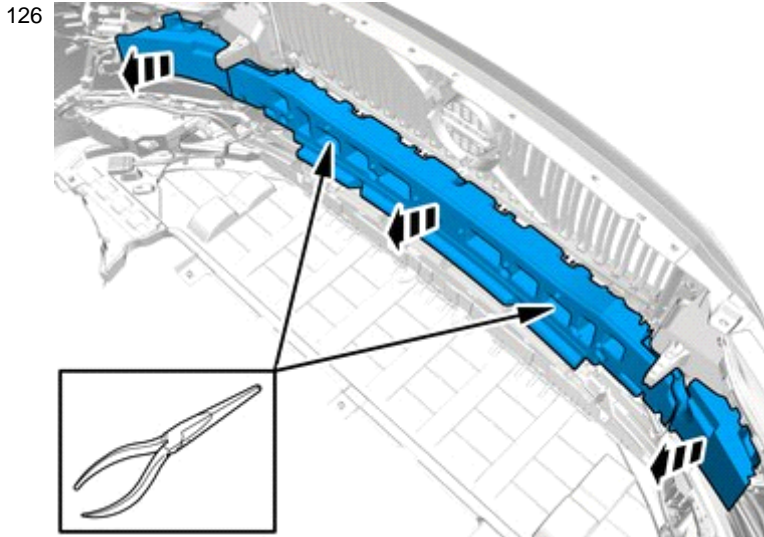
Remove the marked part.



Installation instructions, accessories

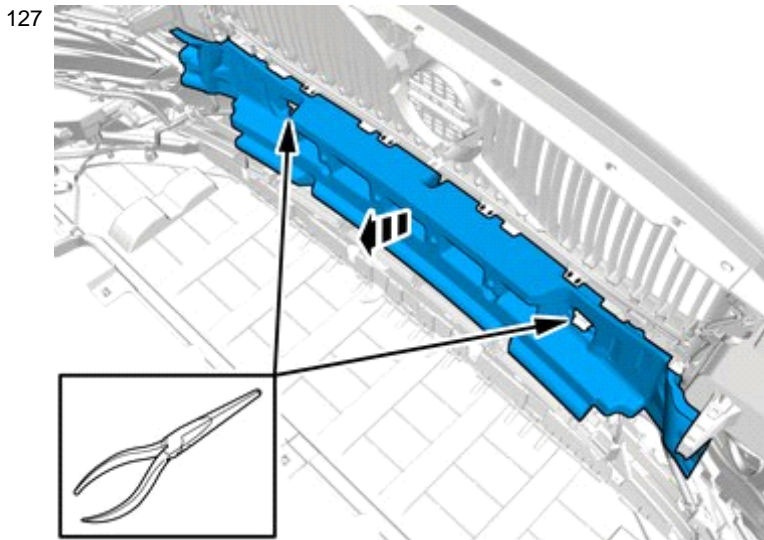
Volvo Car Corporation Gothenburg, Sweden

Concerns US and Canadian markets.



IMG-420729

Applies to all markets, except USA and Canada



IMG-420730

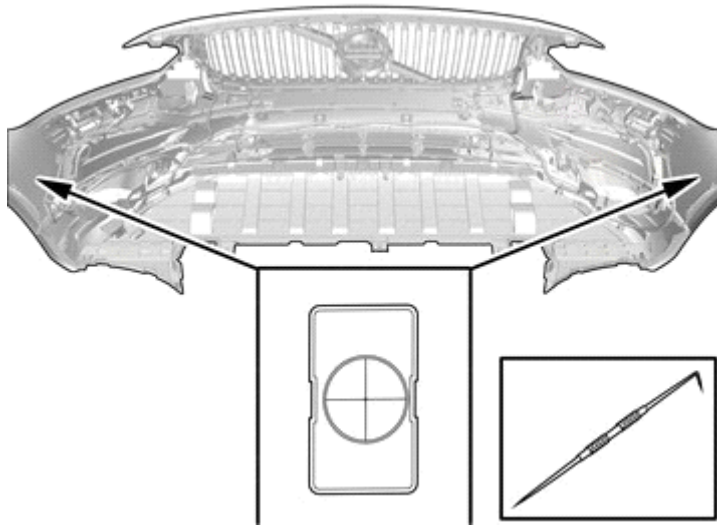
Applies to all markets.



Installation instructions, accessories

Volvo Car Corporation Gothenburg, Sweden

128



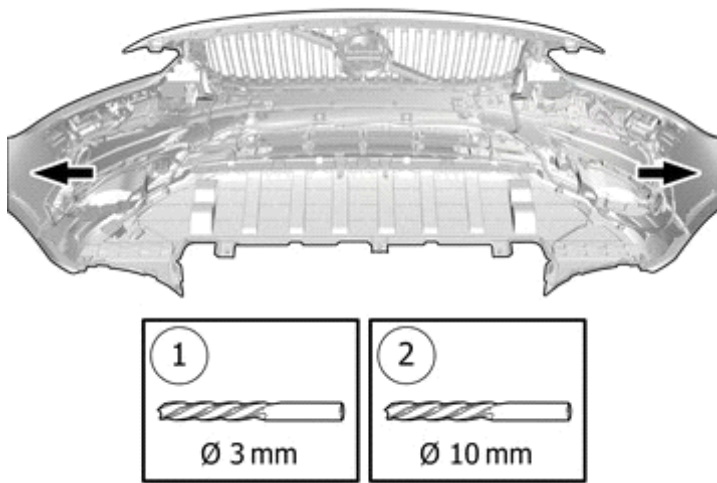
IMG-420744

Locate the markings for the positions.

Mark the centre.

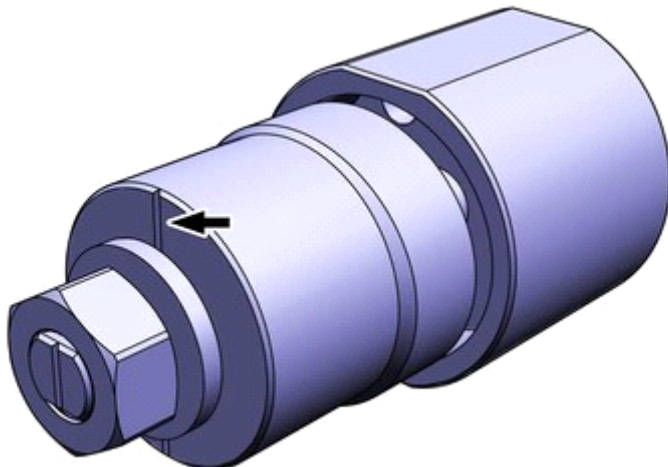
Use: Scribe

129



IMG-420743

130



IMG-420735

Caution!

Ensure that the marking is vertical.

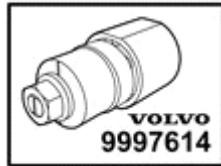
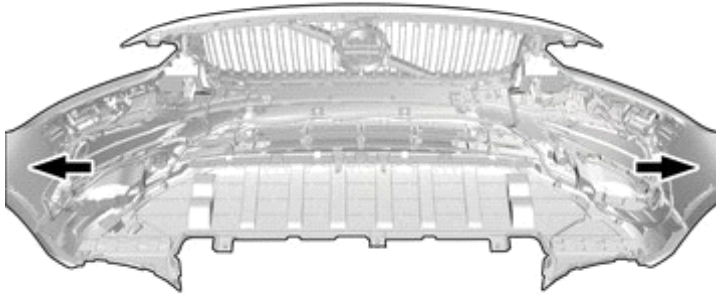
Use special tool: T9997614, Hole punch



Installation instructions, accessories

Volvo Car Corporation Gothenburg, Sweden

131

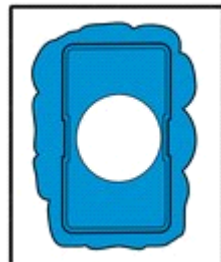
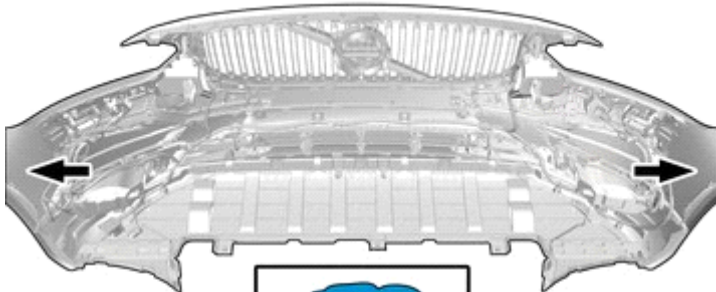


IMG-420741

Caution!

Sharp end of tool must be on outside of cover.

132



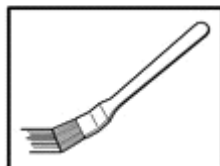
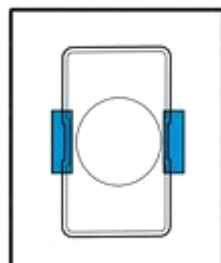
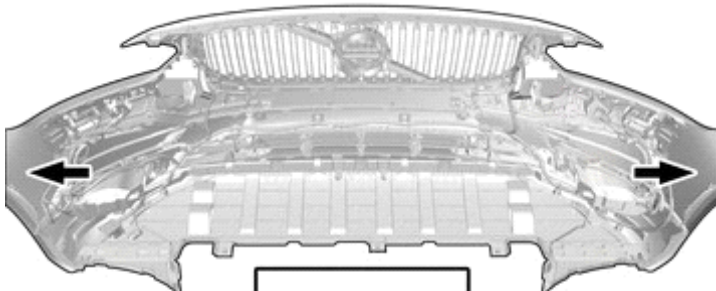
IMG-420745

Clean the surfaces.

Use: , Isopropanol

Allow to dry.

133



IMG-420746

Apply a thin and even layer.

Use: 1161765, Primer

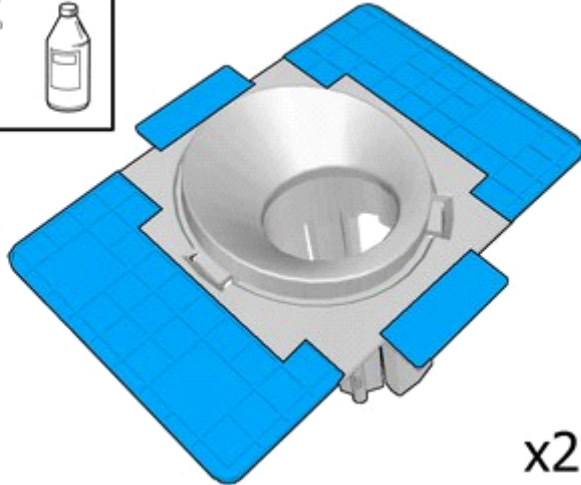
Allow to dry for at least 2 minutes, but no more than 60minutes.



Installation instructions, accessories

Volvo Car Corporation Gothenburg, Sweden

134



x2

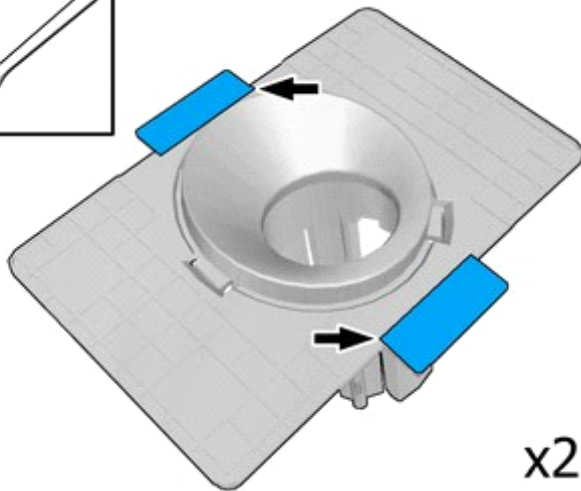
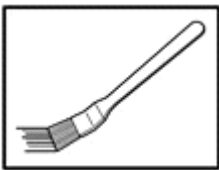
IMG-420752

Clean the surfaces.

Use: , Isopropanol

Allow to dry.

135



x2

IMG-420753

Apply a thin and even layer.

Use: 1161765, Primer

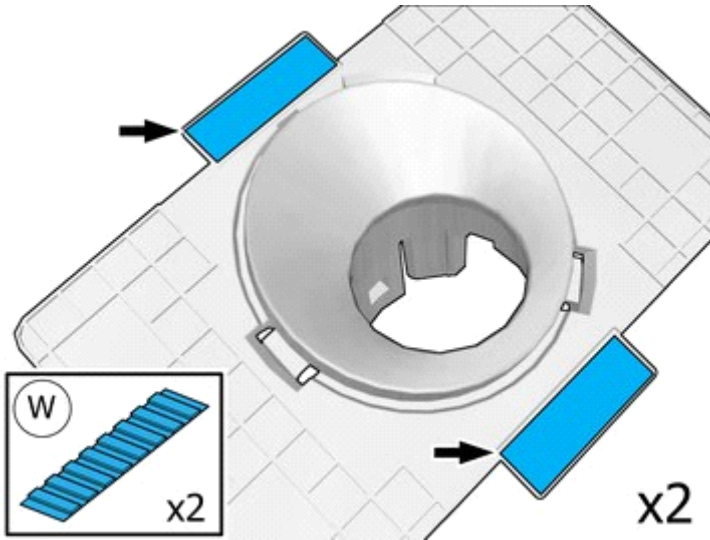
Allow to dry for at least 2 minutes, but no more than 60minutes.



Installation instructions, accessories

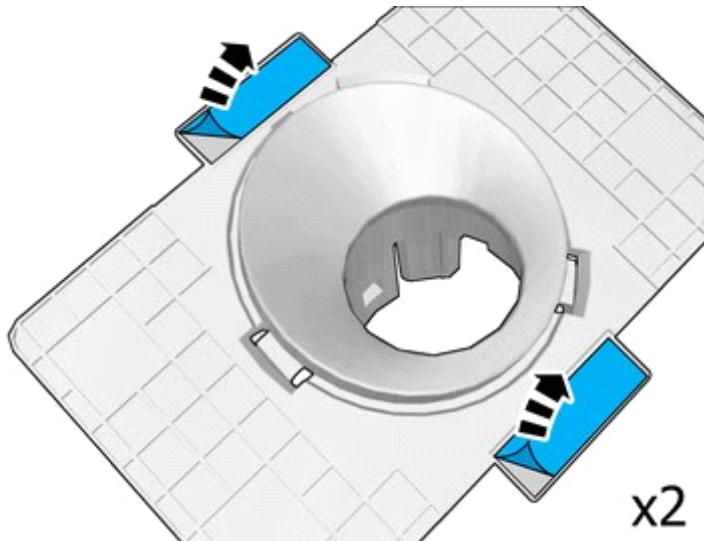
Volvo Car Corporation Gothenburg, Sweden

136



IMG-420763

137



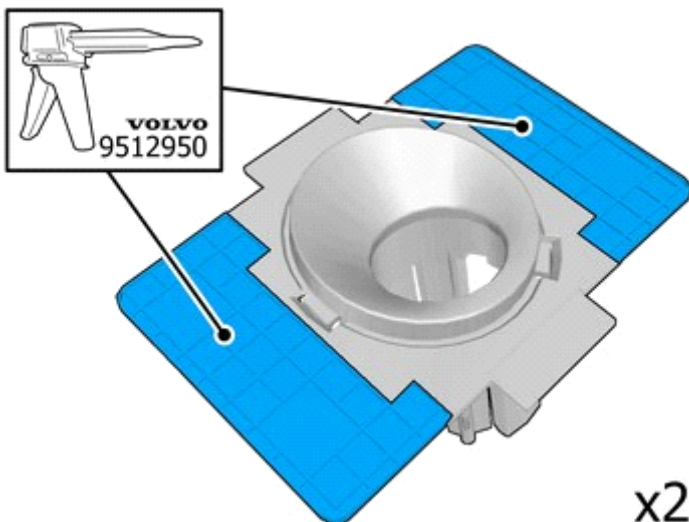
IMG-420820

Note!

Prepare and install one holder at a time.

Remove the protective film.

138



IMG-420755

Warning!

Wear protective gloves.

Warning!

Make sure to provide adequate ventilation.

Apply a thin and even layer.

Use special tool: T9512950, Glue gun (kit)

Use: 1161730, Mixing pipe

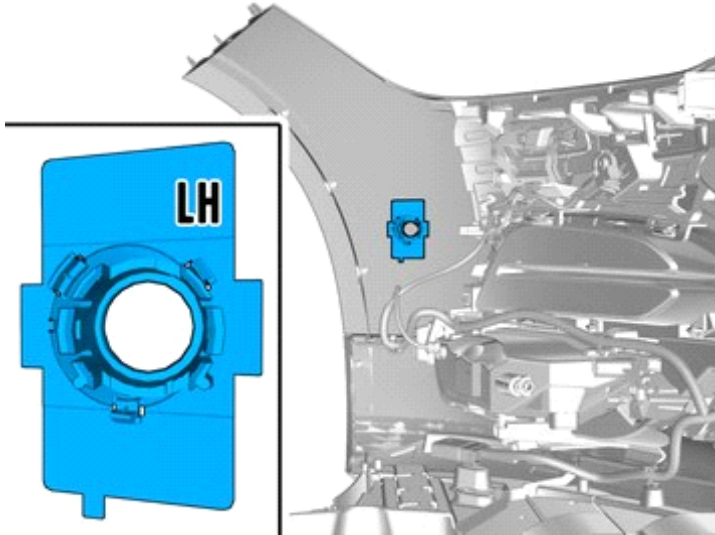
Use: 9511027, Glue



Installation instructions, accessories

Volvo Car Corporation Gothenburg, Sweden

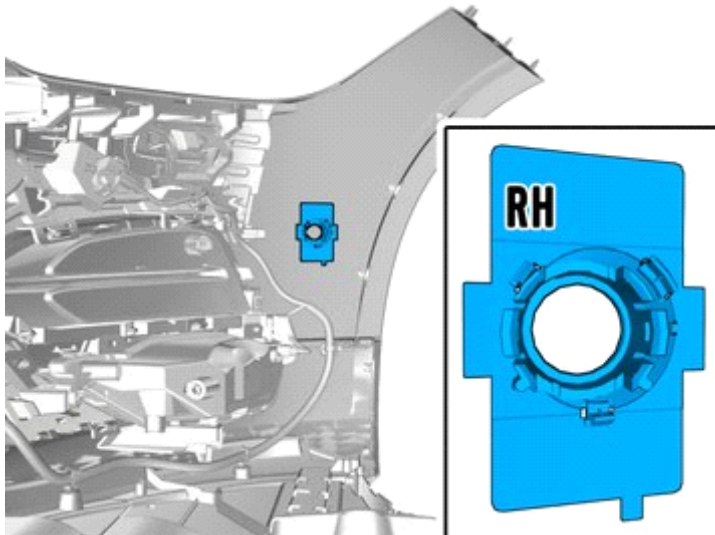
139



IMG-420760

Note!
Note the position.

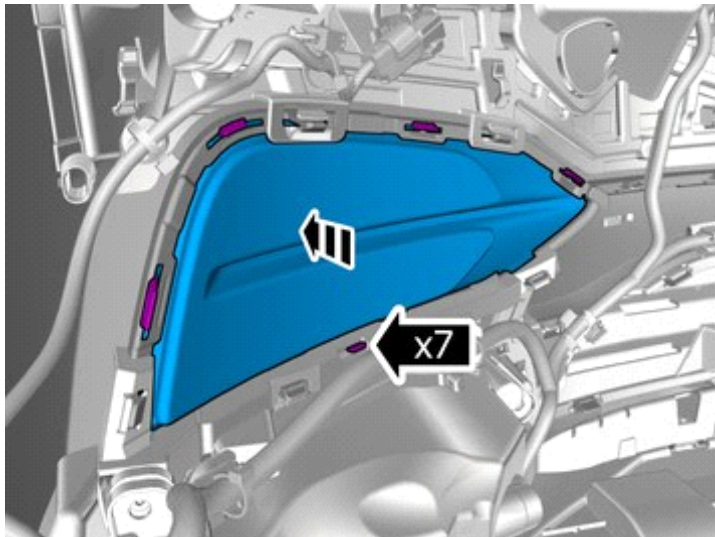
140



IMG-420761

Note!
Note the position.

141



IMG-420762

Remove the marked part.

The part is not to be reused.

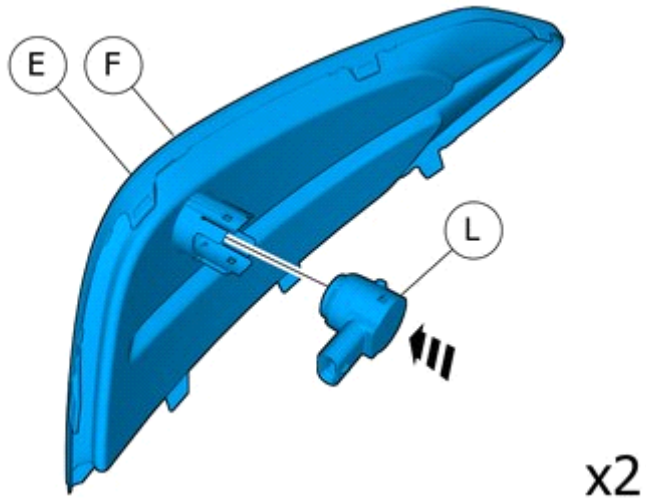
Repeat on the other side.



Installation instructions, accessories

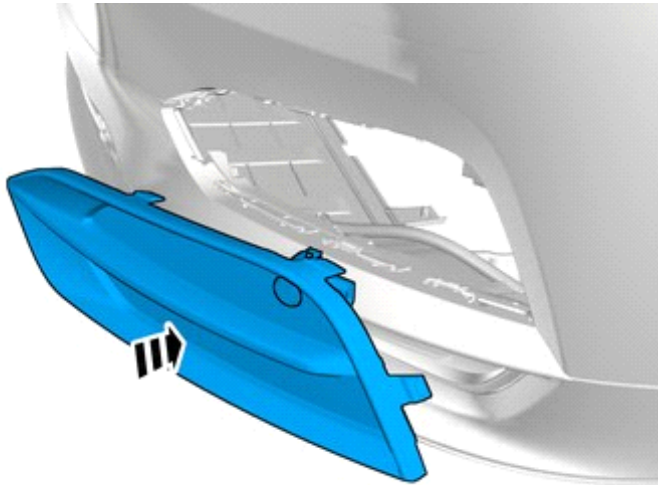
Volvo Car Corporation Gothenburg, Sweden

142



IMG-420765

143



Repeat on the other side.

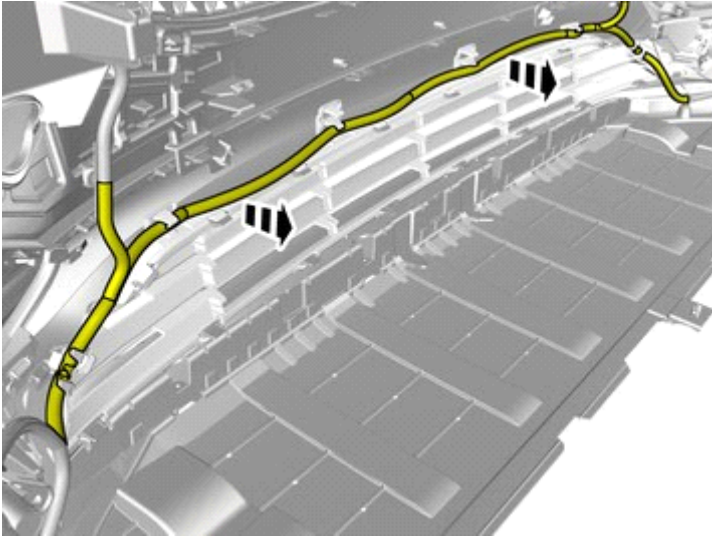
IMG-420766



Installation instructions, accessories

Volvo Car Corporation Gothenburg, Sweden

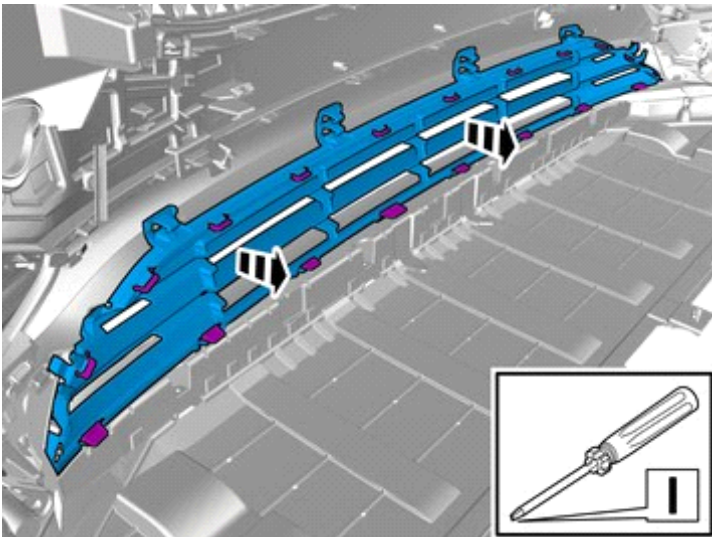
144



IMG-420774

Loosen the wiring harness or move it to the side.

145



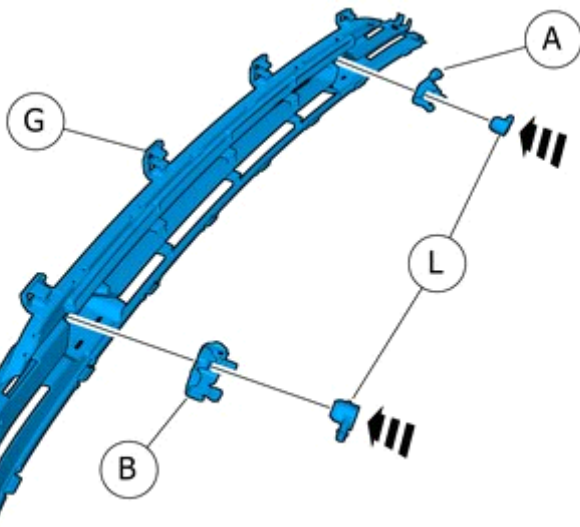
IMG-420793

Release the catches.

Remove the marked part.

The part is not to be reused.

146



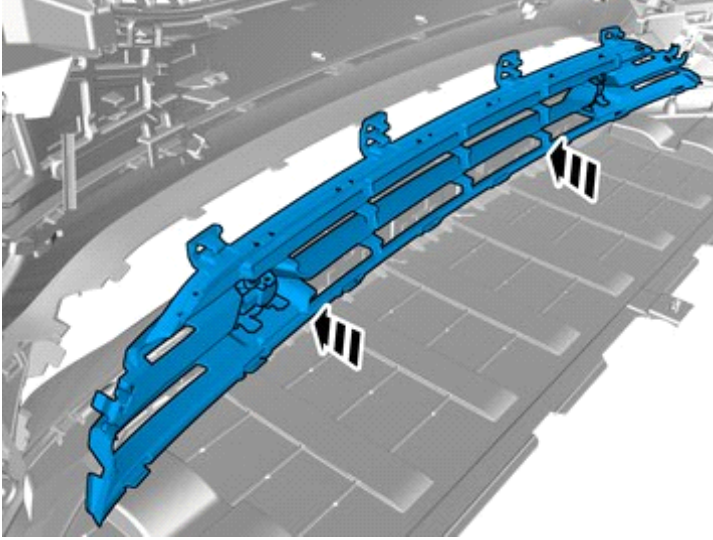
IMG-420821



Installation instructions, accessories

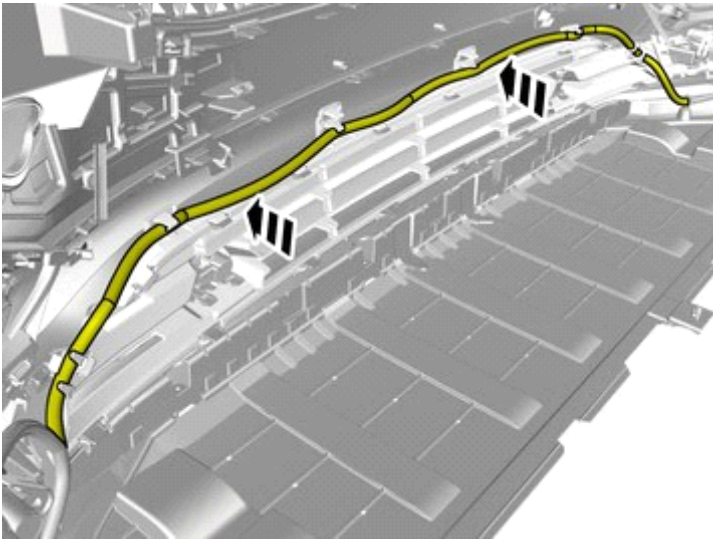
Volvo Car Corporation Gothenburg, Sweden

147



IMG-420822

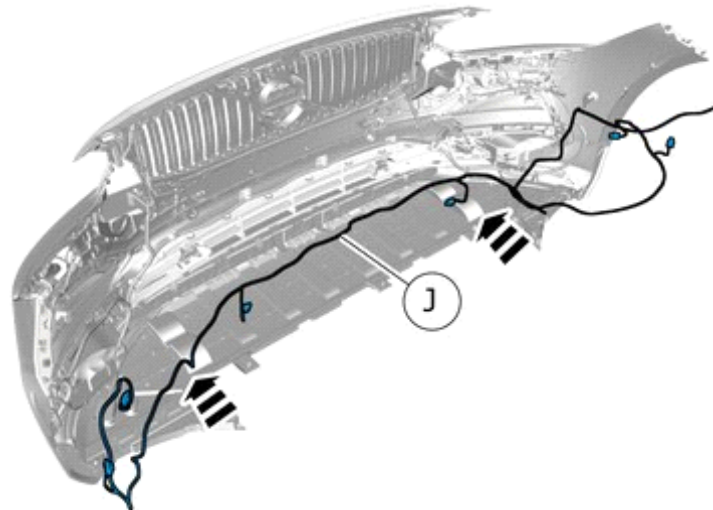
148



IMG-420823

Install the wiring harness.

149



IMG-420825

Put the wiring in the Bumper cover without installing the wiring.

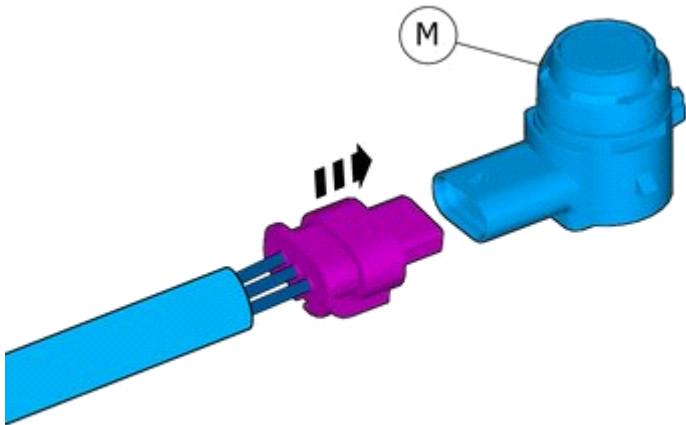


Installation instructions, accessories

Volvo Car Corporation Gothenburg, Sweden

150

Connect the two painted sensors to the external connections.

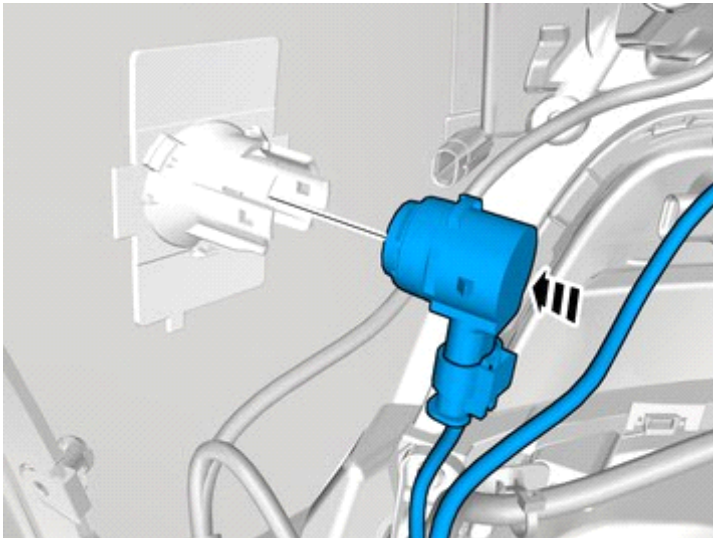


x2

IMG-420033

151

Repeat on the other side.



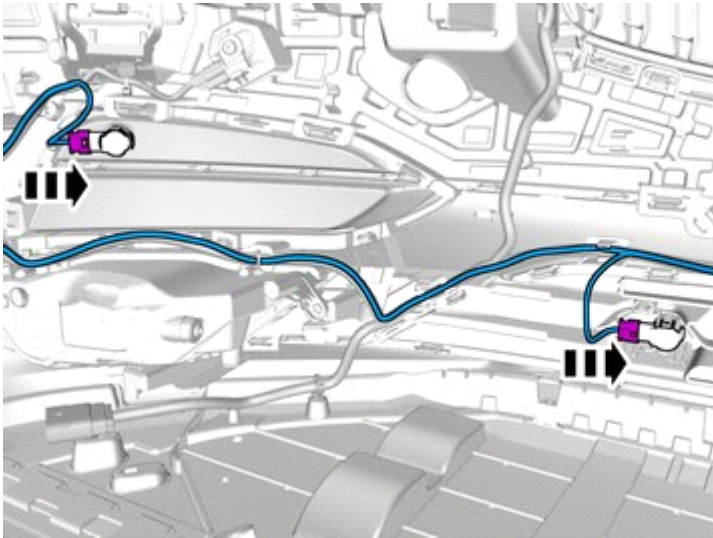
IMG-420826



Installation instructions, accessories

Volvo Car Corporation Gothenburg, Sweden

152



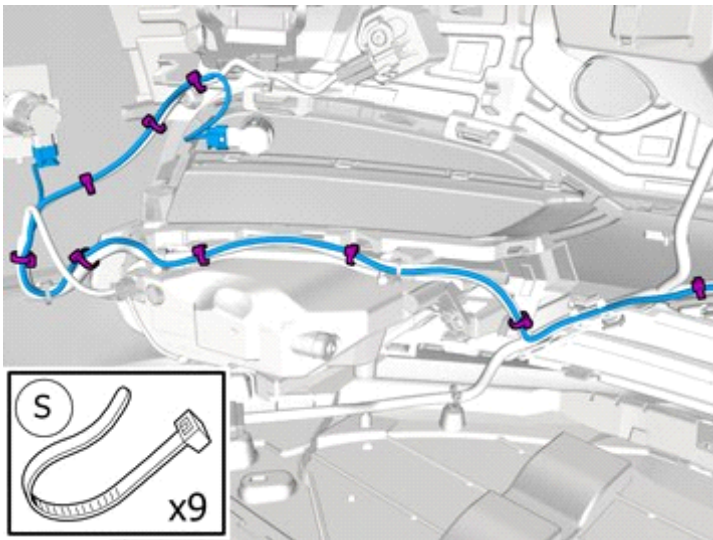
IMG-420830

Repeat on the other side.

Connect the connectors.

Vehicle variant with cable harness

153



IMG-420835

Route the cable harness to the existing cable harness.

Install the wiring harness.

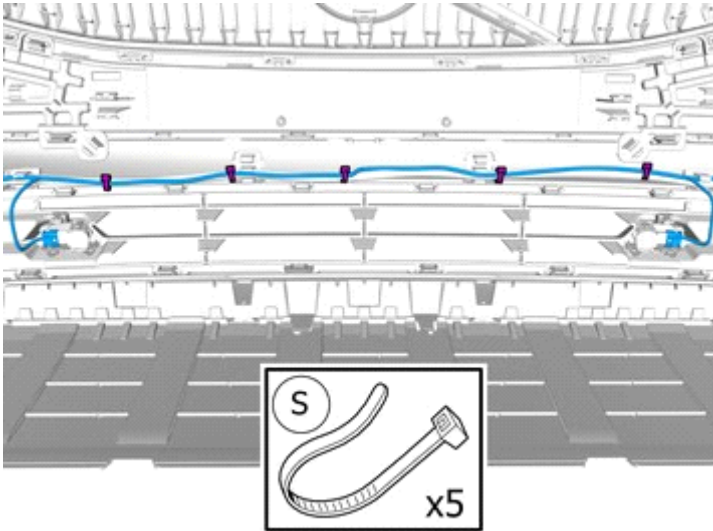
Use a cable tie



Installation instructions, accessories

Volvo Car Corporation Gothenburg, Sweden

154



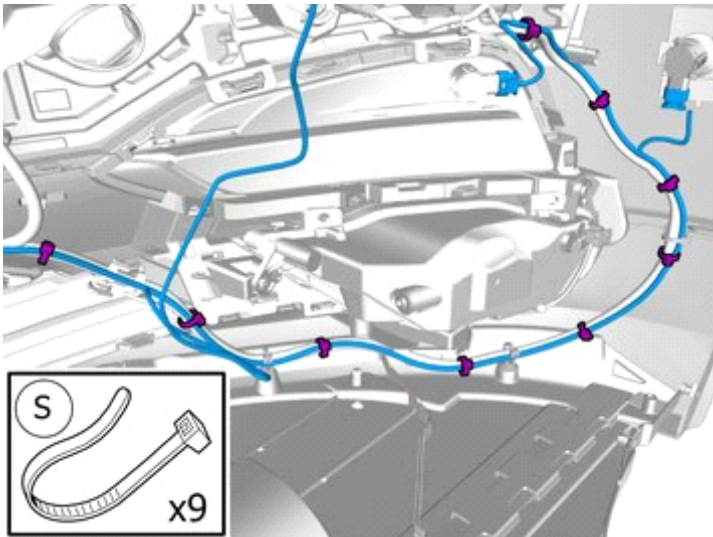
IMG-420845

Route the cable harness to the existing cable harness.

Install the wiring harness.

Use a cable tie

155



IMG-420850

Route the cable harness to the existing cable harness.

Install the wiring harness.

Use a cable tie

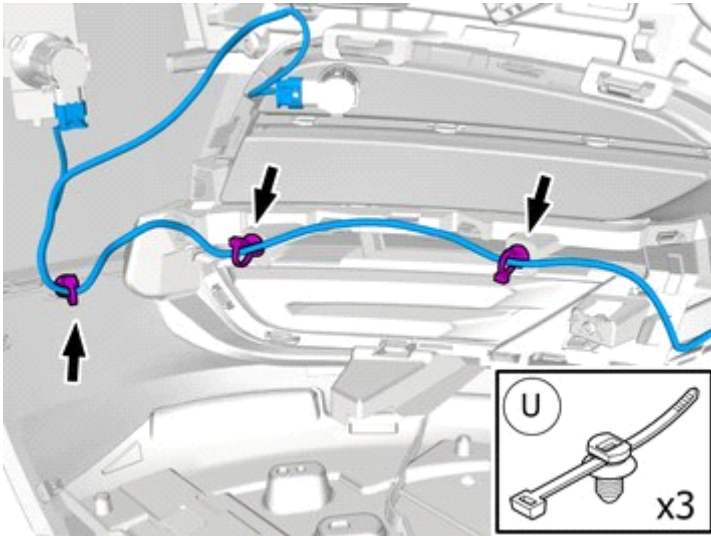
Vehicle variant without cable harness



Installation instructions, accessories

Volvo Car Corporation Gothenburg, Sweden

156



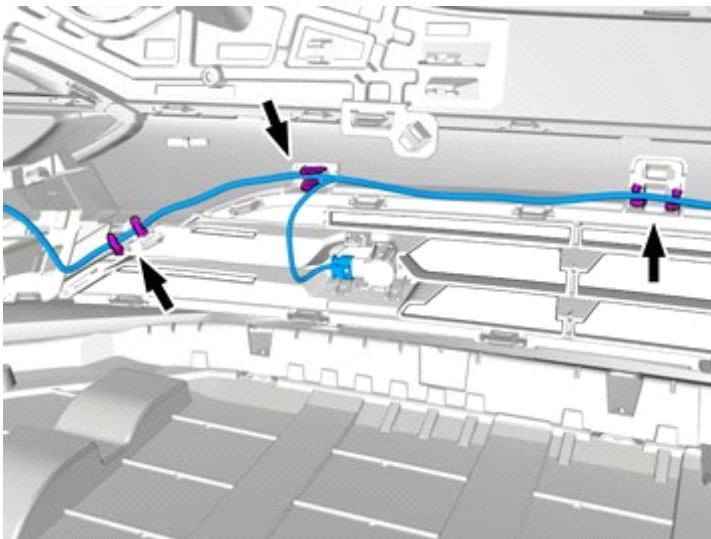
IMG-420870

Position/route the cable harness as illustrated.

Install the wiring harness.

Use a cable tie

157

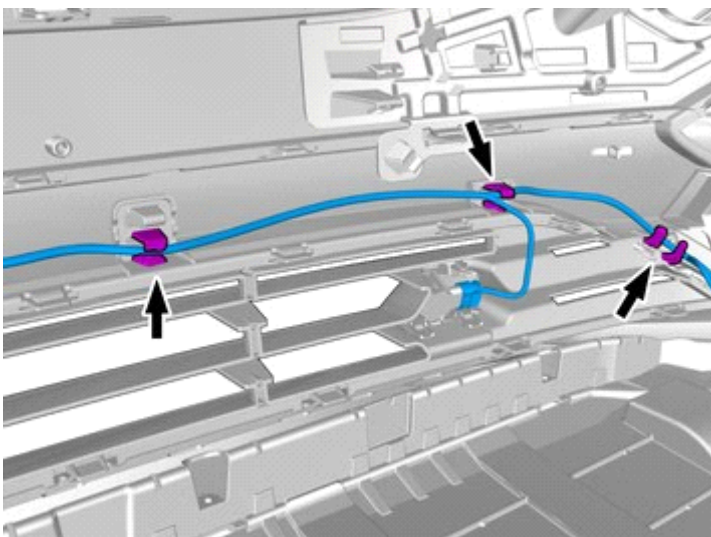


IMG-420871

Position/route the cable harness as illustrated.

Install the wiring harness.

158



IMG-420875

Position/route the cable harness as illustrated.

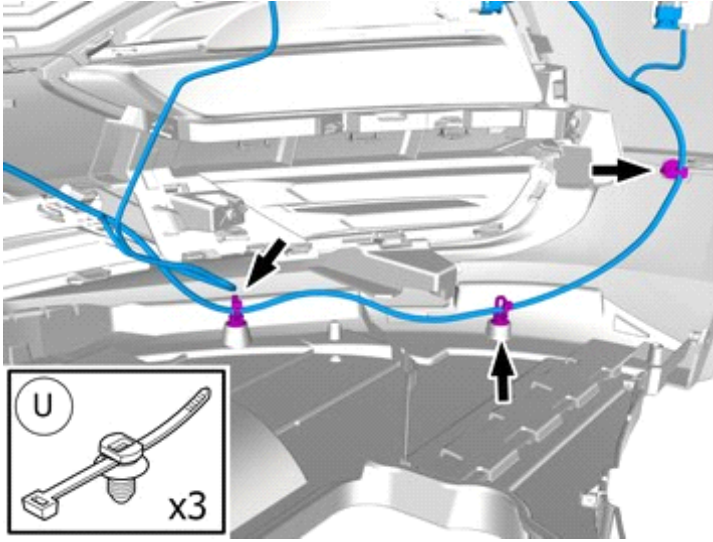
Install the wiring harness.



Installation instructions, accessories

Volvo Car Corporation Gothenburg, Sweden

159



IMG-420876

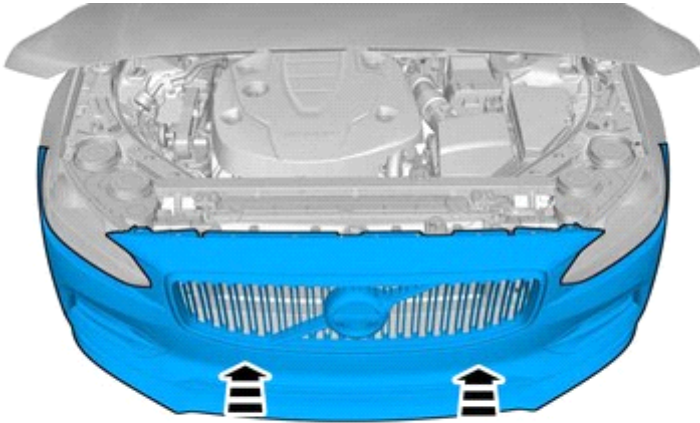
Position/route the cable harness as illustrated.

Install the wiring harness.

Use a cable tie

All vehicles

160



IMG-420878

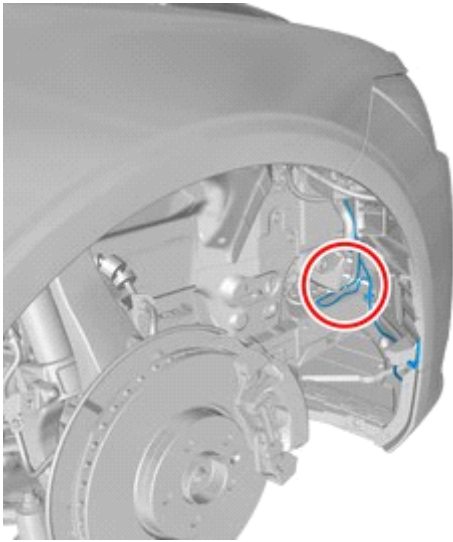
Reinstall the bumper.



Installation instructions, accessories

Volvo Car Corporation Gothenburg, Sweden

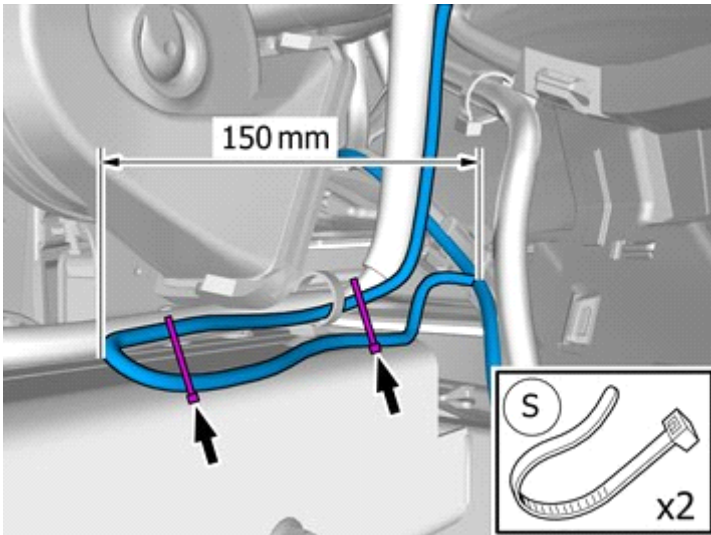
161



IMG-420901

Note!
Orientation view

162



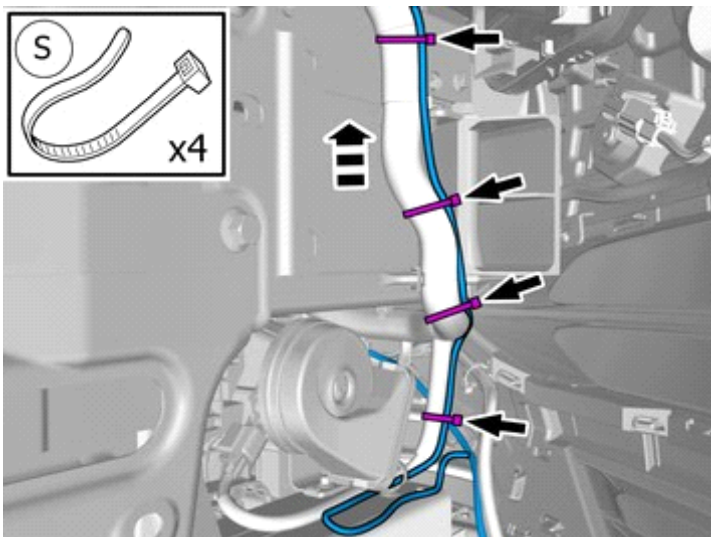
IMG-420900

Position the cable harness excess as illustrated.

Install the wiring harness.

Use a cable tie

163



IMG-420905

Route the cable harness to the existing cable harness.

Install the wiring harness.

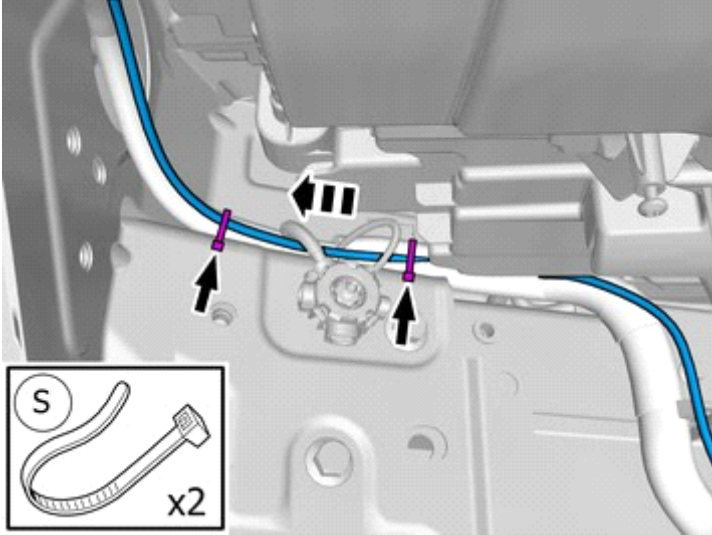
Use a cable tie



Installation instructions, accessories

Volvo Car Corporation Gothenburg, Sweden

164



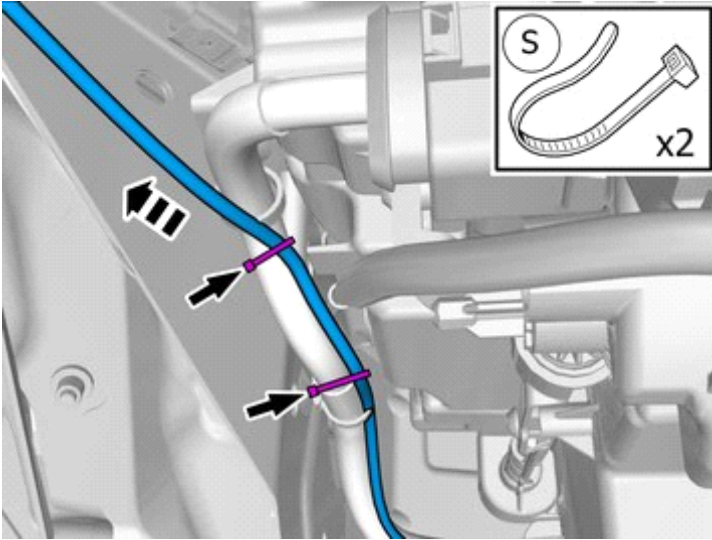
IMG-420927

Route the cable harness to the existing cable harness.

Install the wiring harness.

Use a cable tie

165



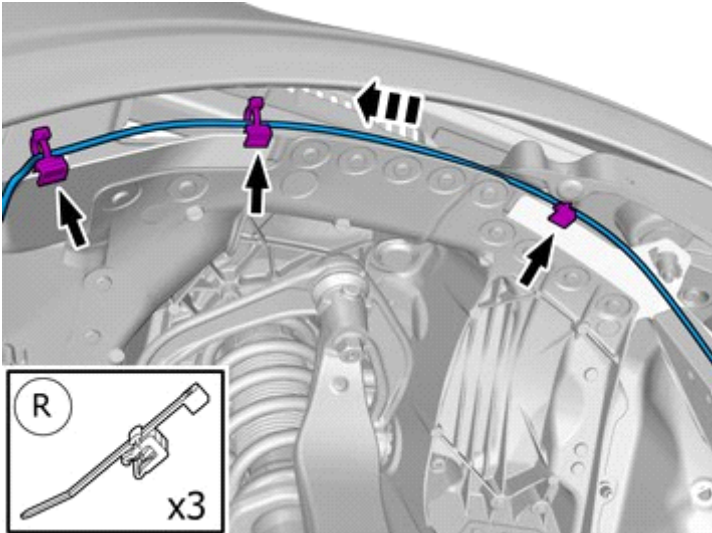
IMG-420928

Route the cable harness to the existing cable harness.

Install the wiring harness.

Use a cable tie

166



IMG-420929

Position/route the cable harness as illustrated.

Install the wiring harness.

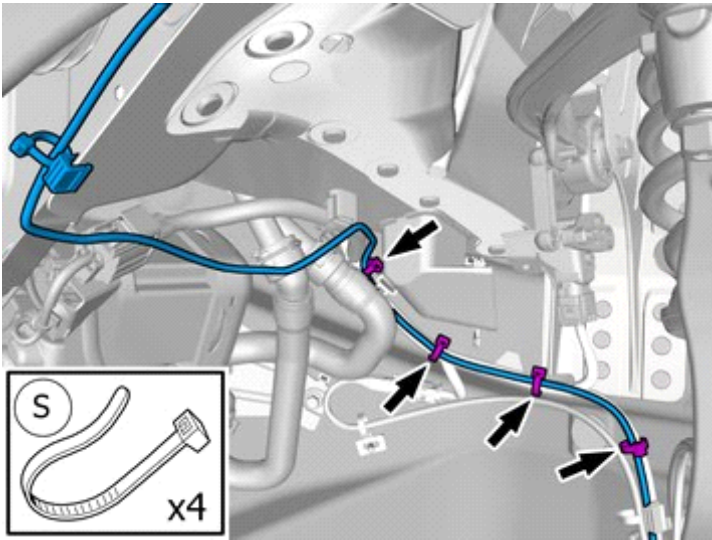
Use a cable tie



Installation instructions, accessories

Volvo Car Corporation Gothenburg, Sweden

167



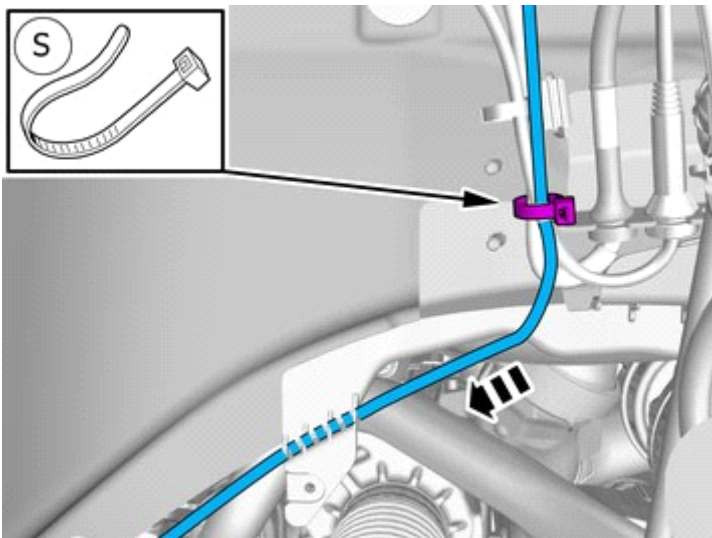
IMG-421017

Position/route the cable harness as illustrated.

Install the wiring harness.

Use a cable tie

168



IMG-421321

Position/route the cable harness as illustrated.

Install the wiring harness.

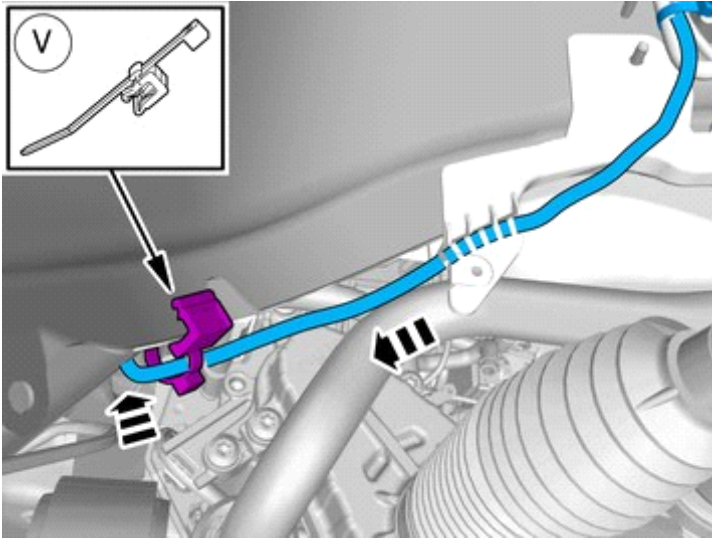
Use a cable tie



Installation instructions, accessories

Volvo Car Corporation Gothenburg, Sweden

169



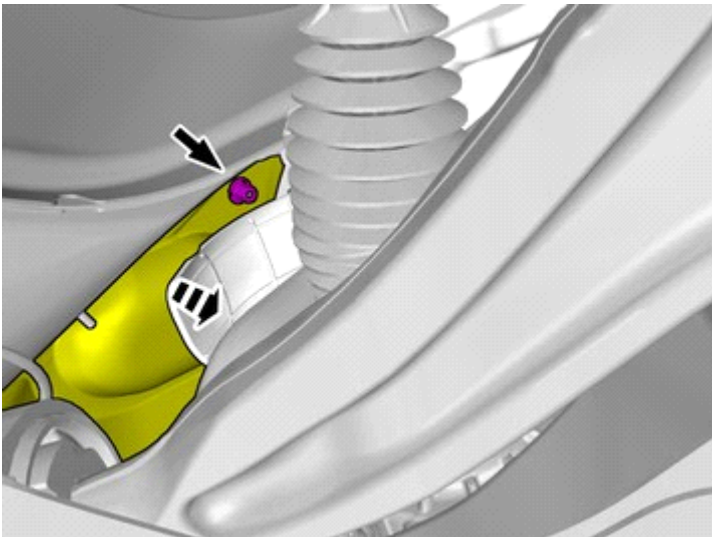
IMG-421335

Position/route the cable harness as illustrated.

Install the wiring harness.

Use a cable tie

170

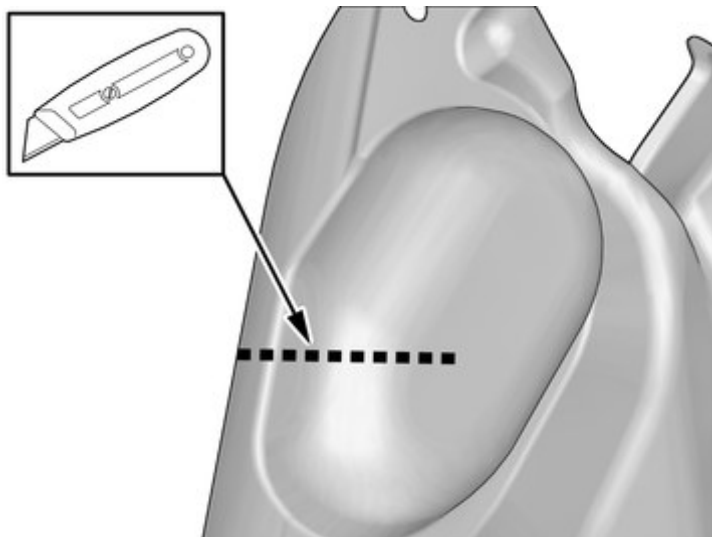


IMG-421323

Remove the nut.

Fold the insulation to one side.

171



IMG-402286

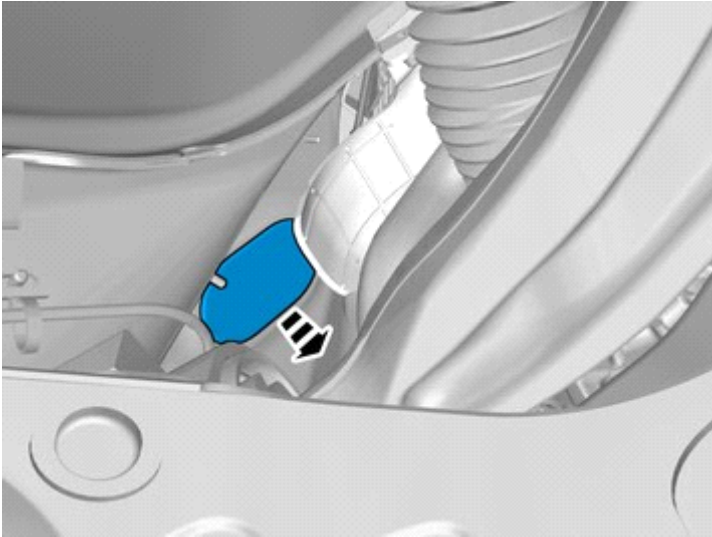
Make a cut in the insulation.



Installation instructions, accessories

Volvo Car Corporation Gothenburg, Sweden

172

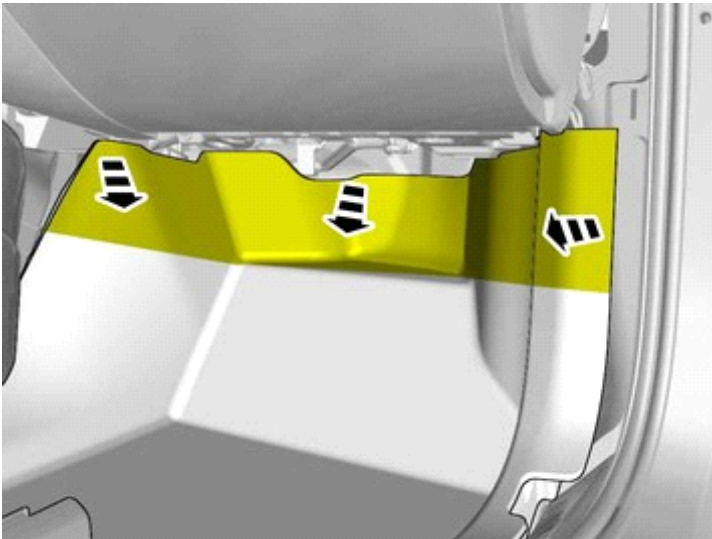


IMG-421325

Remove the marked part.

The part is not to be reused.

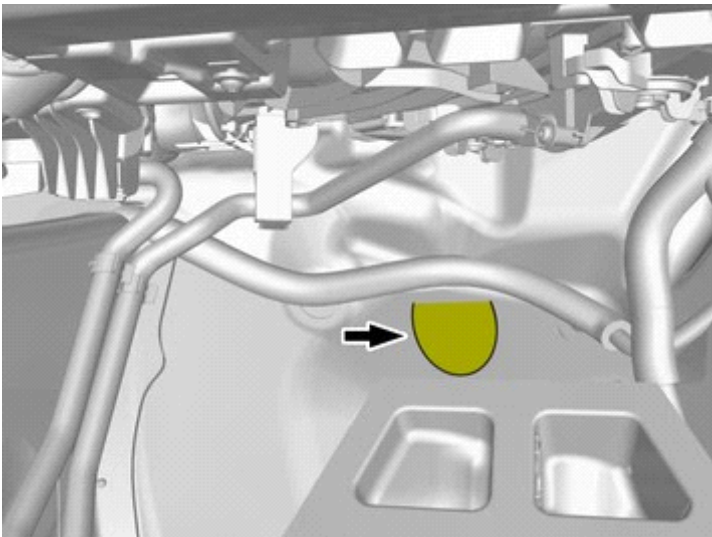
173



IMG-421024

Fold the carpet to the side.

174



IMG-421025

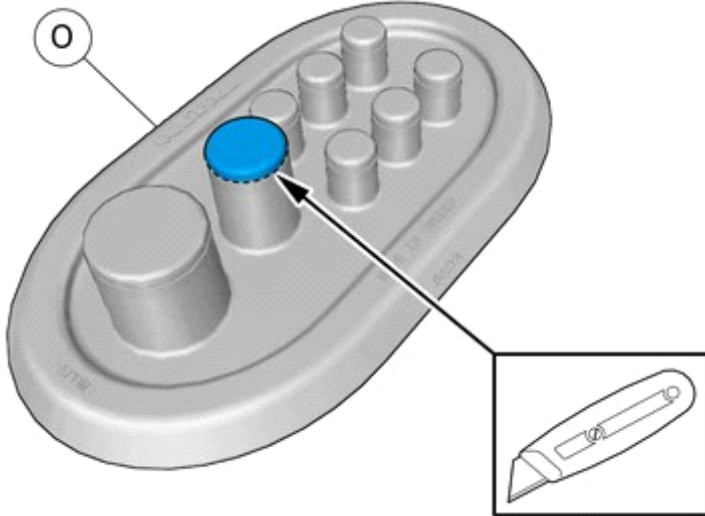
Remove the marked part.



Installation instructions, accessories

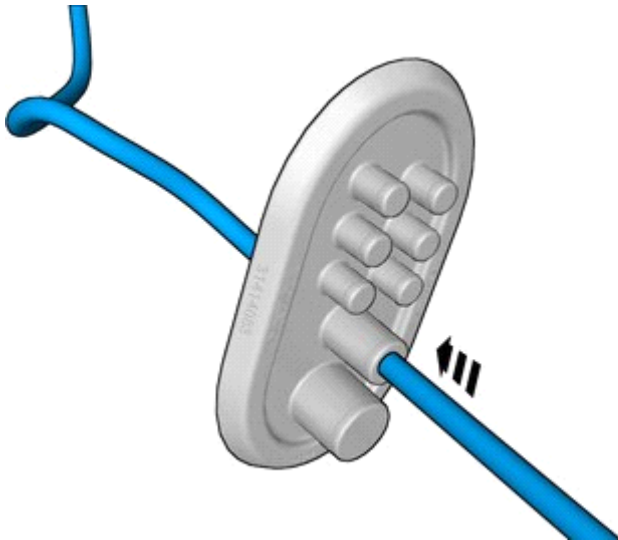
Volvo Car Corporation Gothenburg, Sweden

175



IMG-421020

176



IMG-402238

Pull the wiring through.

Use: 1161150, Lubricant

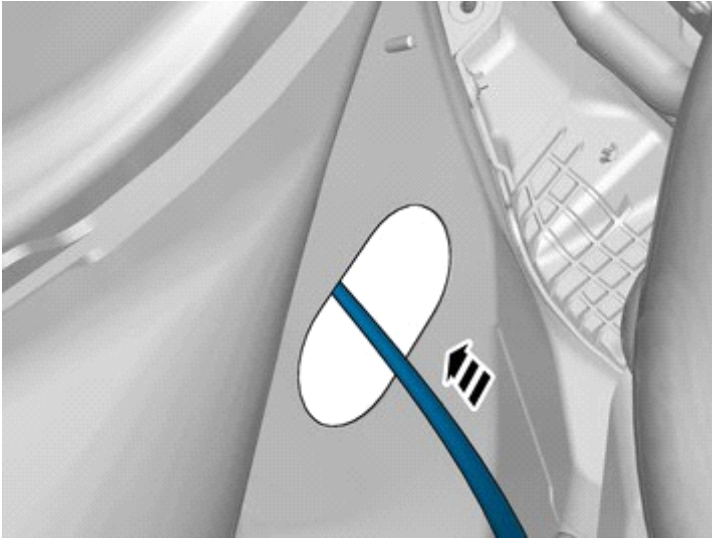
Use special tool: T9814204, Expander pliers



Installation instructions, accessories

Volvo Car Corporation Gothenburg, Sweden

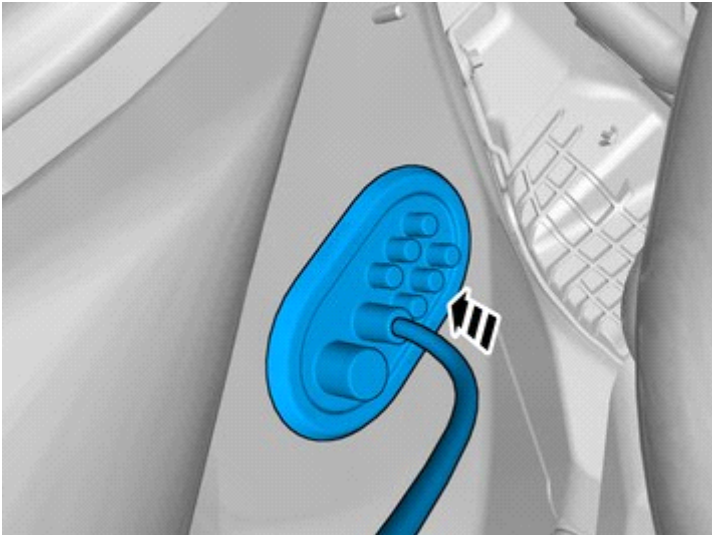
177



IMG-402275

Route the wiring harness into the passenger compartment.

178



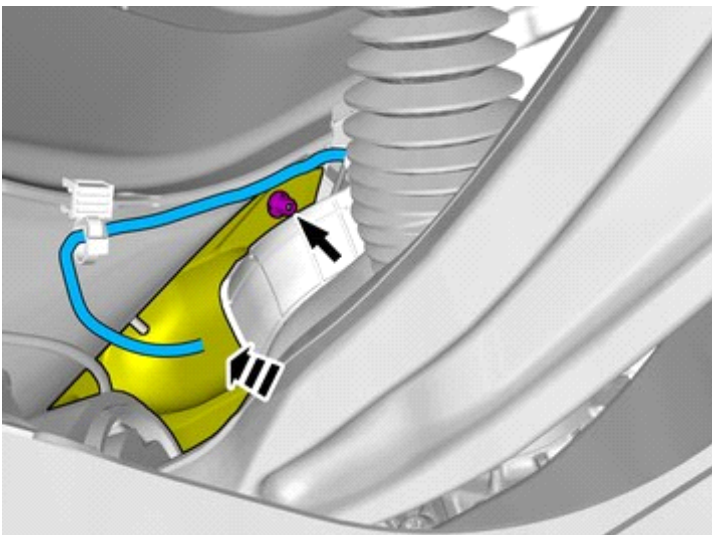
IMG-402277

Caution!

Make sure that the rubber grommet seals properly to the body.

Insert the cable in to the passenger compartment, adjust the cable length out into the engine compartment and secure the rubber grommet.

179



IMG-421375

Refit the insulation.

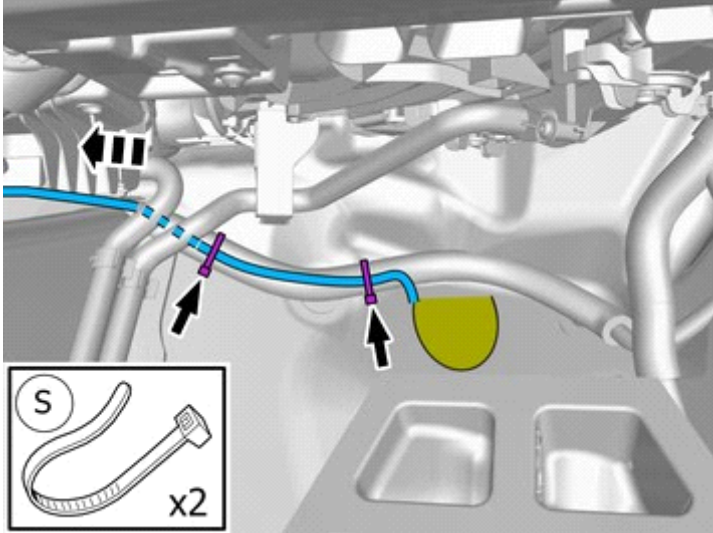
Install the nut.



Installation instructions, accessories

Volvo Car Corporation Gothenburg, Sweden

180



IMG-421030

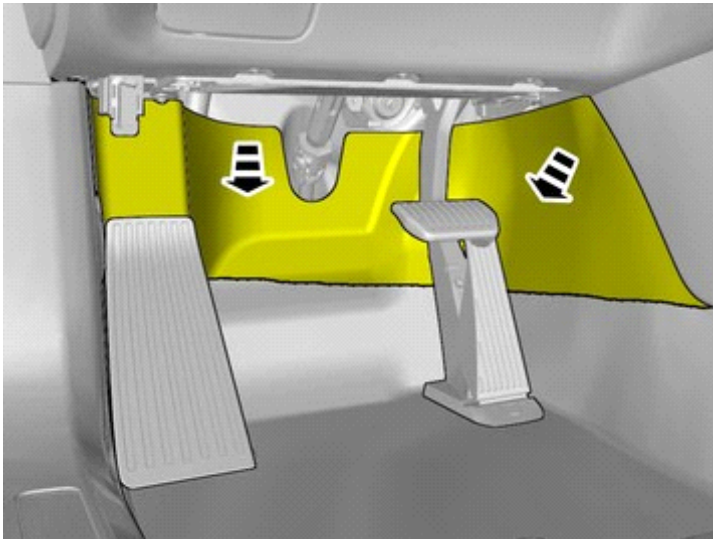
Position/route the cable harness as illustrated.

Install the wiring harness.

Use a cable tie

Pull the wiring through.

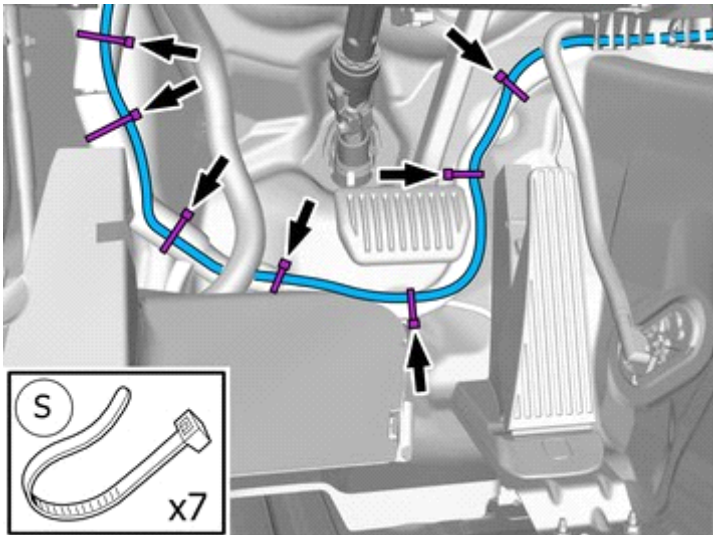
181



IMG-386826

Fold the carpet to the side.

182



IMG-421272

Position/route the cable harness as illustrated.

Install the wiring harness.

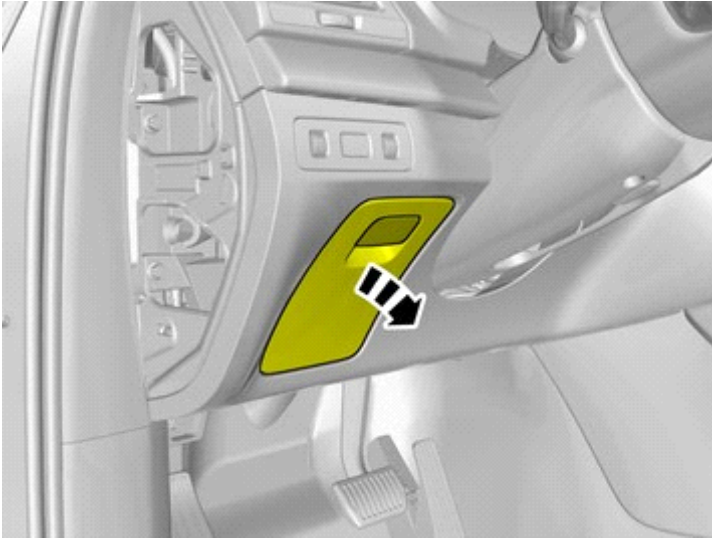
Use a cable tie



Installation instructions, accessories

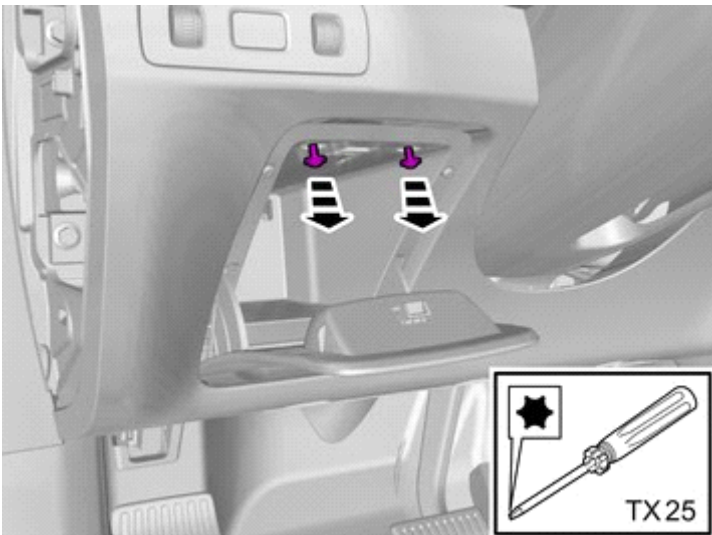
Volvo Car Corporation Gothenburg, Sweden

183



IMG-387085

184



IMG-387086

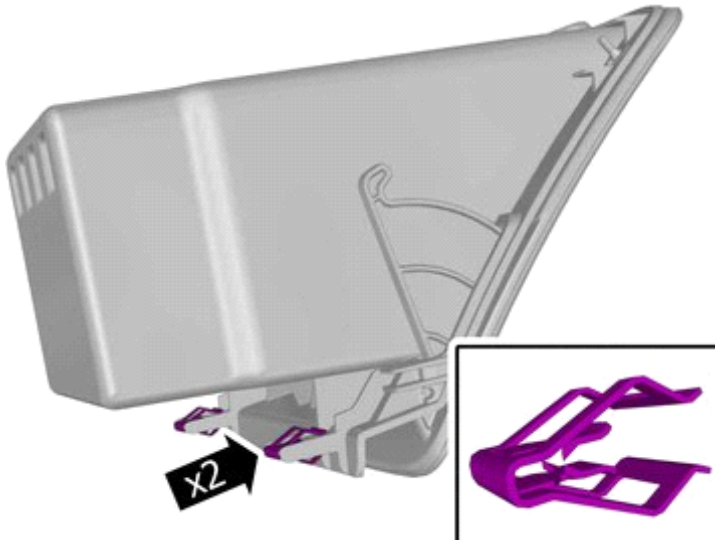
Remove the screws.



Installation instructions, accessories

Volvo Car Corporation Gothenburg, Sweden

185



IMG-403400

Note!

The graphic shows the back of the component before removal.

186

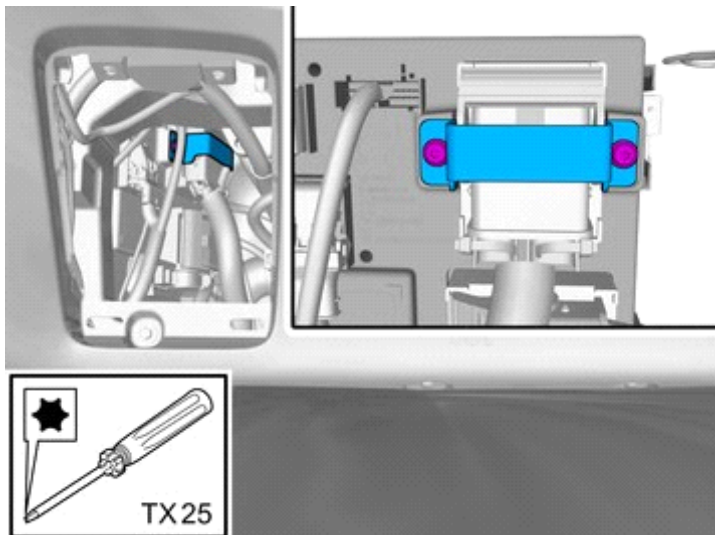


IMG-387107

Release the catch.

Remove the marked part.

187



IMG-387123

Remove the screws.

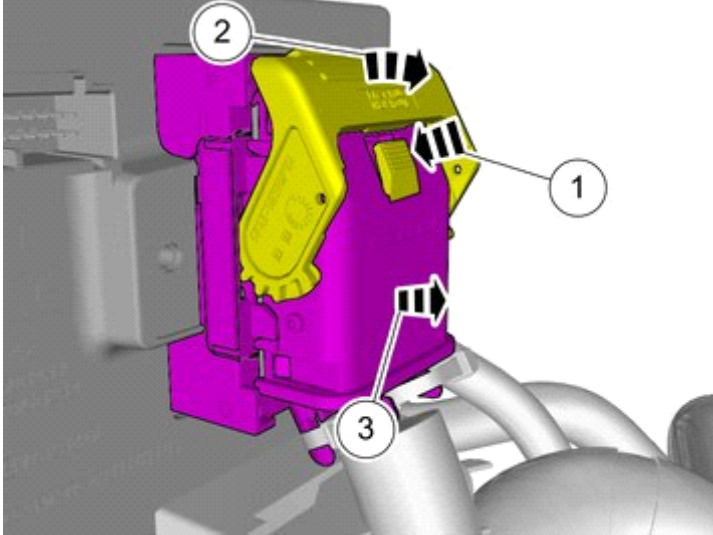
Remove the marked part.



Installation instructions, accessories

Volvo Car Corporation Gothenburg, Sweden

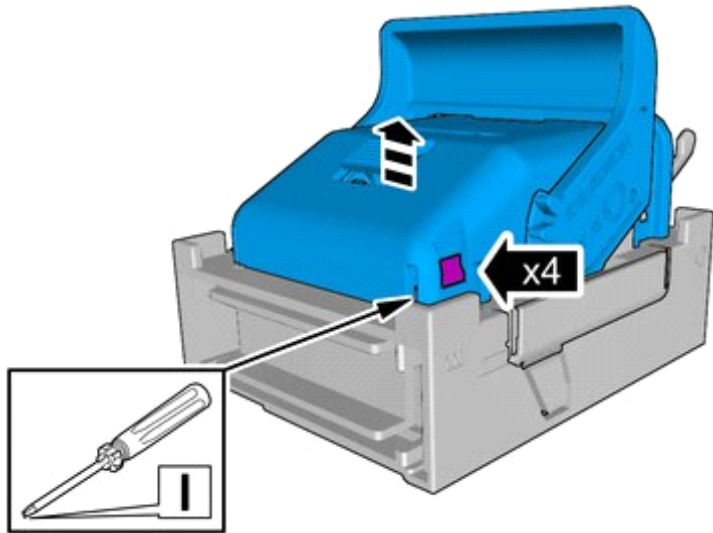
188



IMG-387398

- Depress the locking device.
- Release the connector's catch.
- Disconnect the connector.

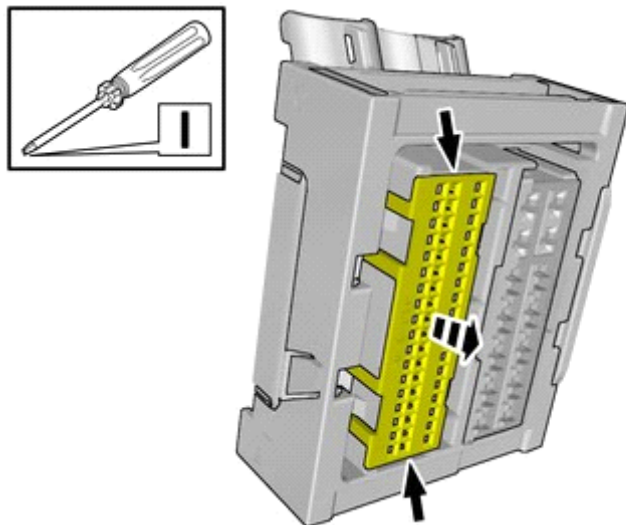
189



IMG-387423

- Release the catches.
- Remove the marked part.

190



IMG-400415

- Release the connector's secondary lock.
- Lift approximately 2 mm.

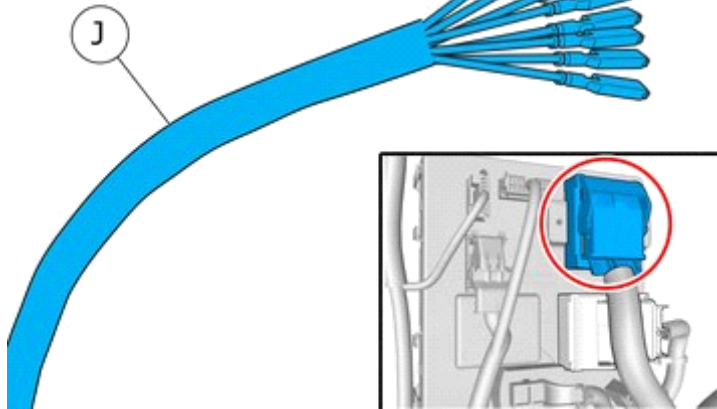


Installation instructions, accessories

Volvo Car Corporation Gothenburg, Sweden

191

FRONT HARNESS

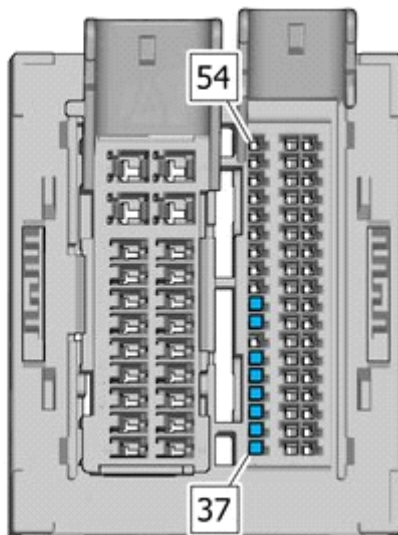


IMG-421037

Note!
Orientation view

192

Pos.	
37	BU
38	YE-WH
39	WH-OG
40	VT-WH
41	WH-GN
42	GY-OG
44	BN-YE
45	BN-WH



IMG-387476

Connect the prerouted wiring harness.

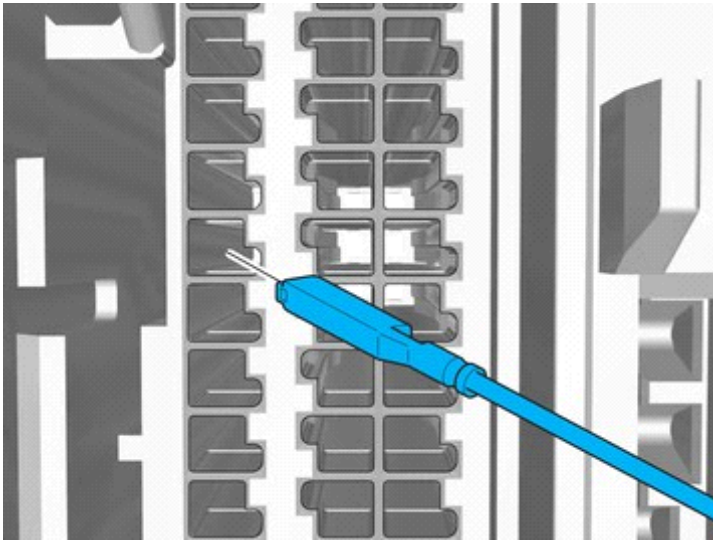
- BN = Brown
- GN = Green
- GY = Grey
- OG = Orange
- WH = White
- YE = Yellow



Installation instructions, accessories

Volvo Car Corporation Gothenburg, Sweden

193

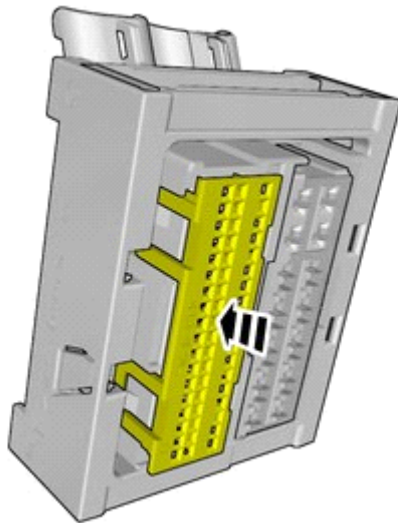


IMG-402395

Note!

Note the position.

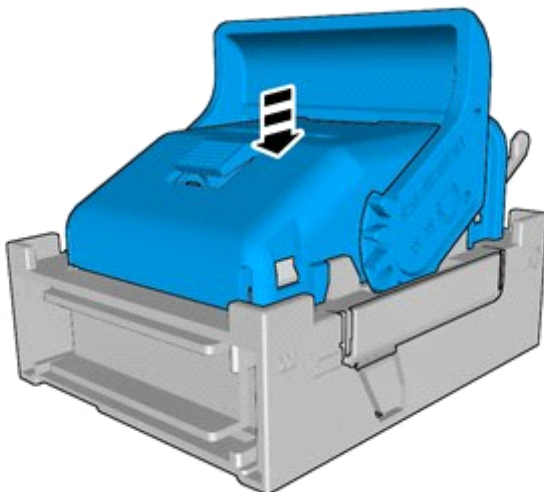
194



IMG-400383

Depress the secondary lock.

195



IMG-387424

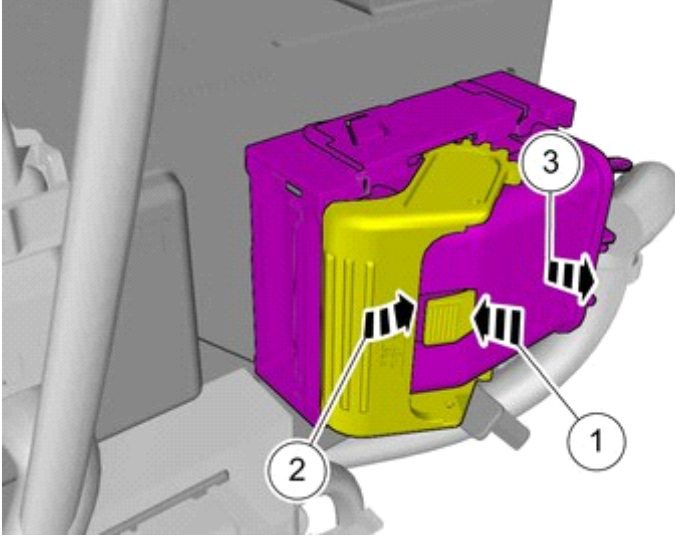
Reinstall the removed part.



Installation instructions, accessories

Volvo Car Corporation Gothenburg, Sweden

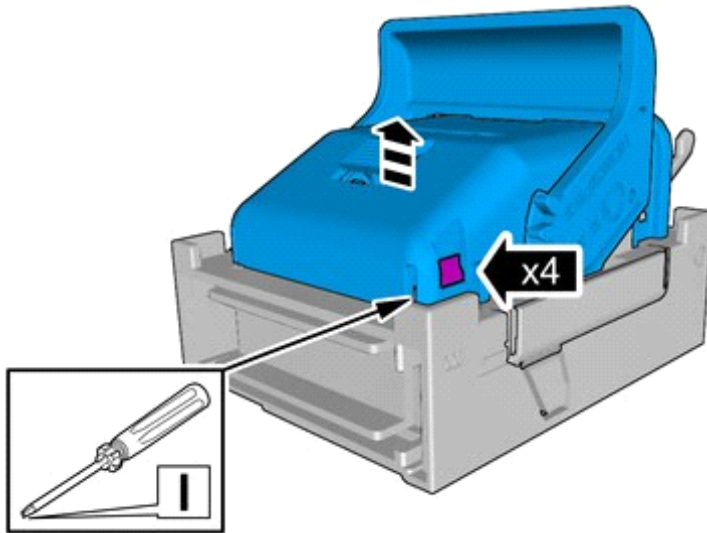
196



IMG-387415

- Depress the locking device.
- Release the connector's catch.
- Disconnect the connector.

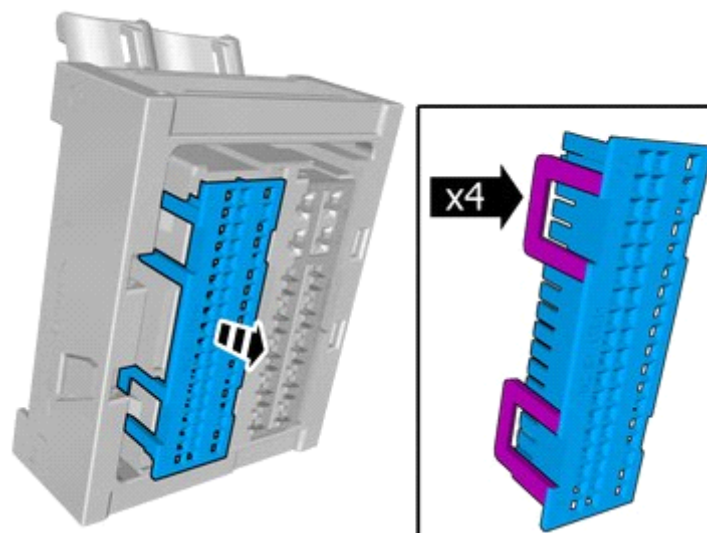
197



IMG-387423

- Release the catches.
- Remove the marked part.

198



IMG-409615

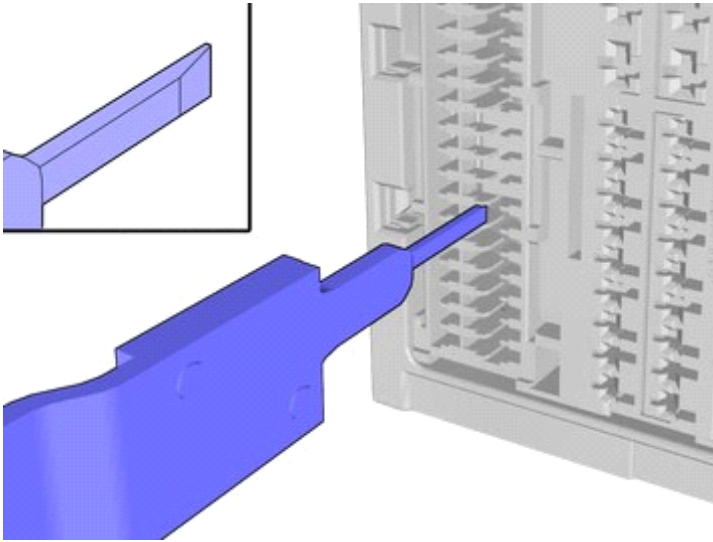
- Release the catches.
- Remove the marked part.



Installation instructions, accessories

Volvo Car Corporation Gothenburg, Sweden

199

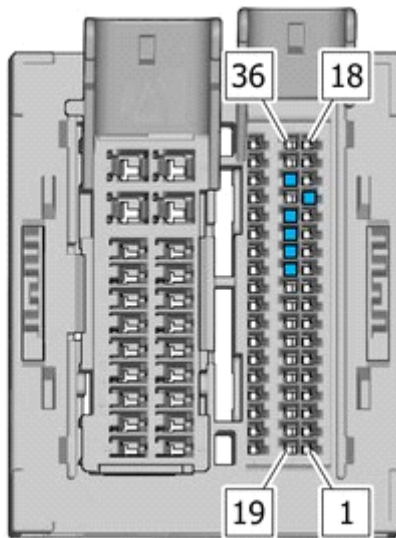


IMG-409805

Use special tool: T9512632, Terminal removal tool (Color code: RED)

200

Pos.	
15	BN-GY
29	GN-YE
30	WH-OG
31	GY-YE
32	YE-OG
34	BN-WH



IMG-409625

Disconnect terminals from the connector, following the graphic.

- BN = Brown
- GN = Green
- GY = Grey
- OG = Orange
- WH = White
- YE = Yellow

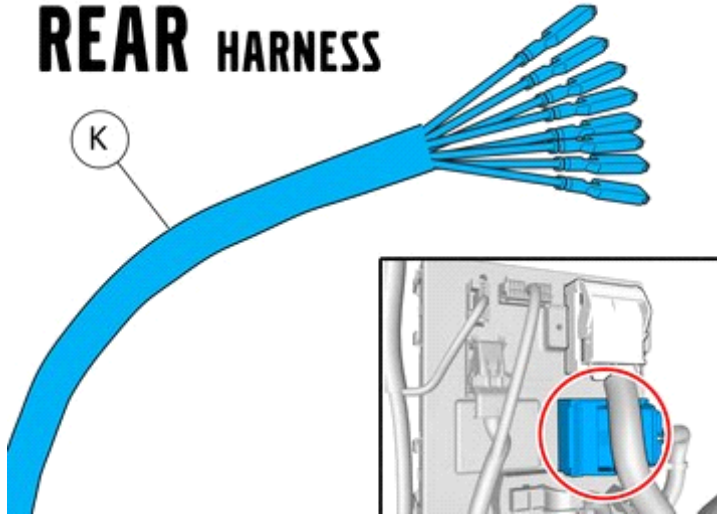


Installation instructions, accessories

Volvo Car Corporation Gothenburg, Sweden

201

REAR HARNESS

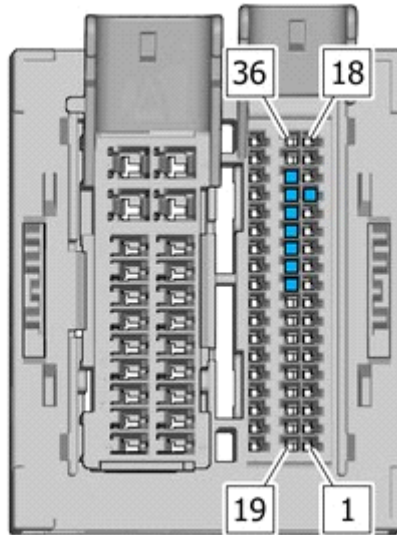


IMG-410553

Note!
Orientation view

202

Pos.	
15	BN-GY
28	GY-YE
29	YE-OG
30	BN-YE
31	GY-OG
32	GN-YE
33	WH-OG
34	BN-WH

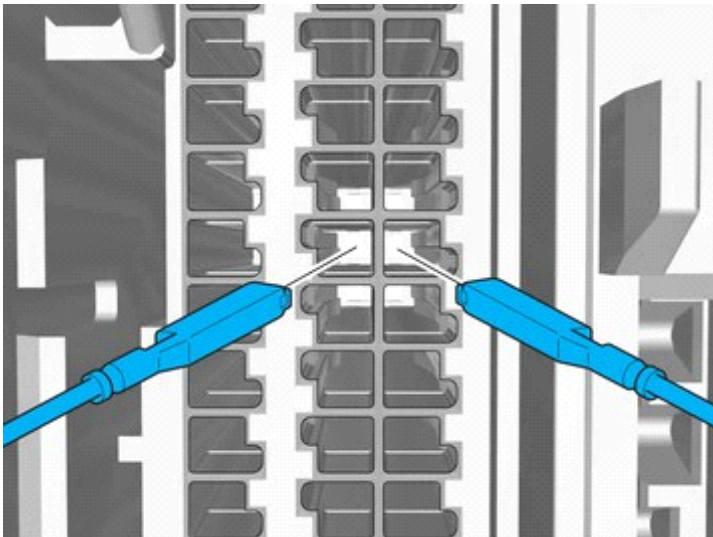


IMG-421039

Connect the prerouted wiring harness.

- BN = Brown
- GN = Green
- GY = Grey
- OG = Orange
- WH = White
- YE = Yellow

203



IMG-409561

Note!
Note the position.

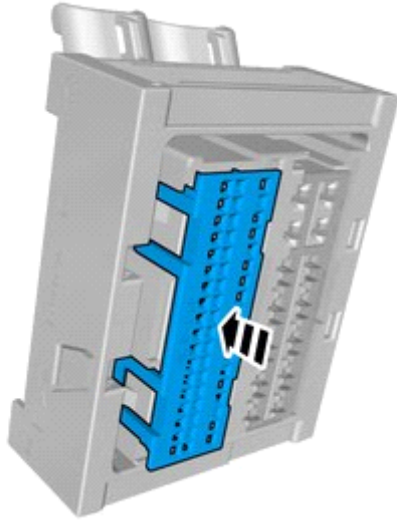


Installation instructions, accessories

Volvo Car Corporation Gothenburg, Sweden

204

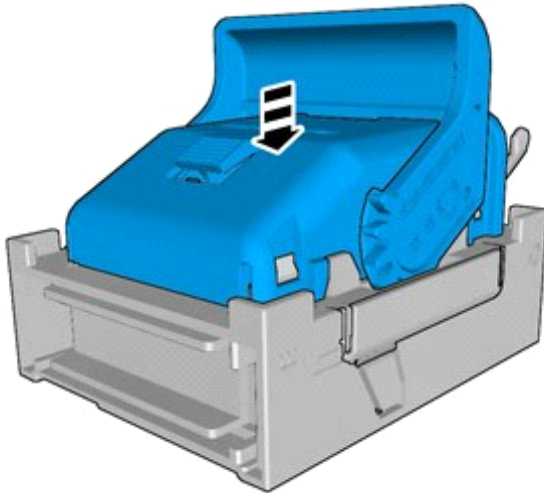
Depress the secondary lock.



IMG-409626

205

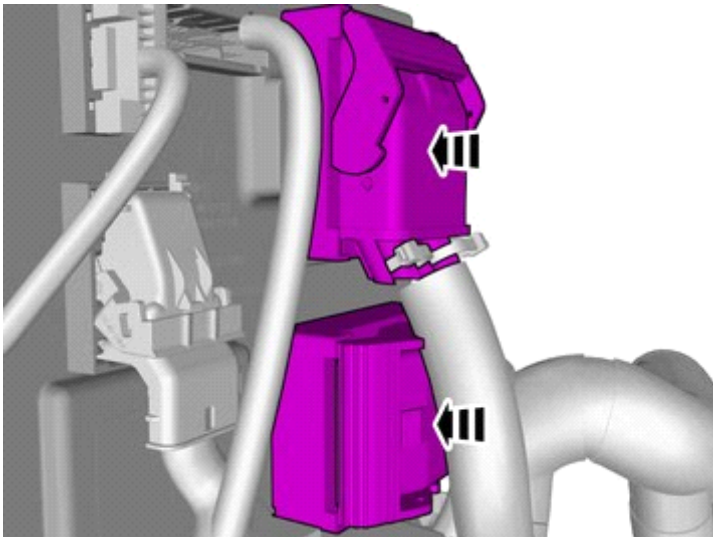
Reinstall the removed part.



IMG-387424

206

Connect the connectors.



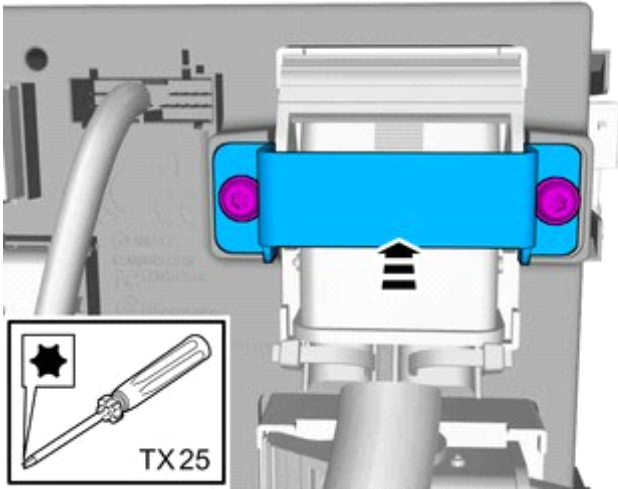
IMG-387144



Installation instructions, accessories

Volvo Car Corporation Gothenburg, Sweden

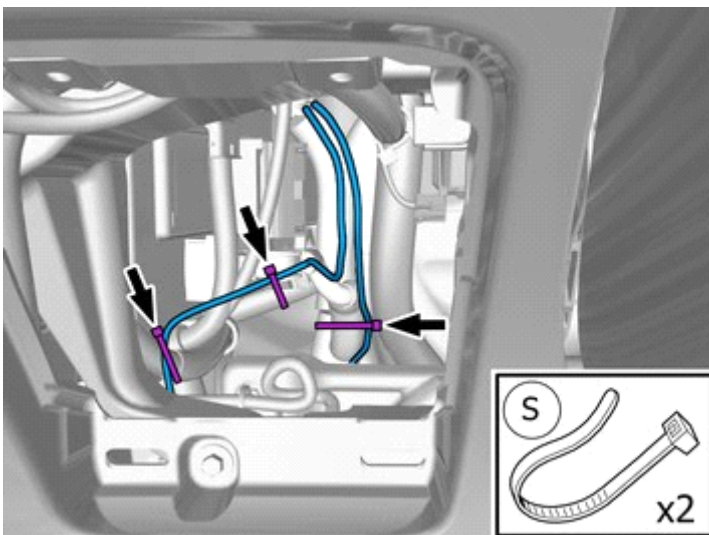
207



Reinstall the removed part.

Reinstall the screws.

208



Install the cables.

Use a cable tie



Installation instructions, accessories

Volvo Car Corporation Gothenburg, Sweden

209

VIDA

Caution!

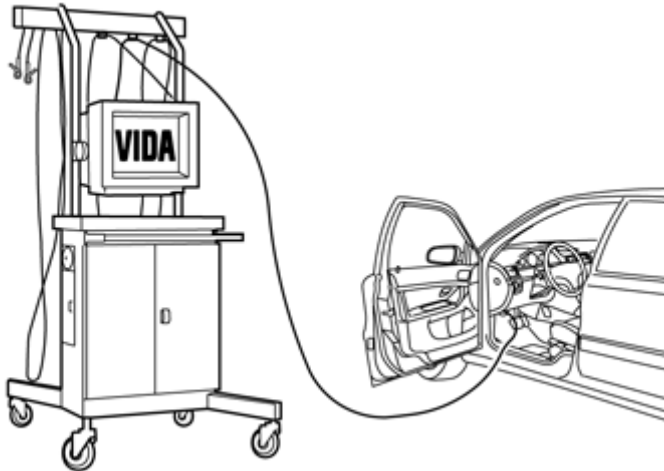
A change to another tire size will cause changes in tire circumference. This will affect the Parking assistance pilot function.

Check that the tire dimension stated in the vehicle configuration, corresponds to the actual tire dimension of the vehicle.

If this does not correspond, download correct software.

IMG-40005

210



IMG-242268

Download software (application) for the accessory's function according to the service information in VIDA. See VIDA or the accessories catalogue for software part number.

Installation



Installation instructions, accessories

Volvo Car Corporation Gothenburg, Sweden

211

Reinstall the removed parts in reverse order.

IMG-400000
